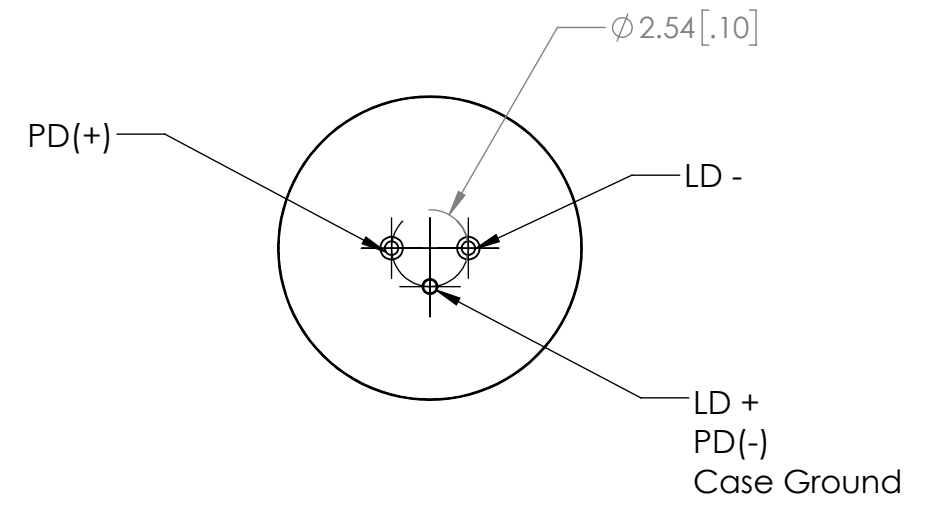
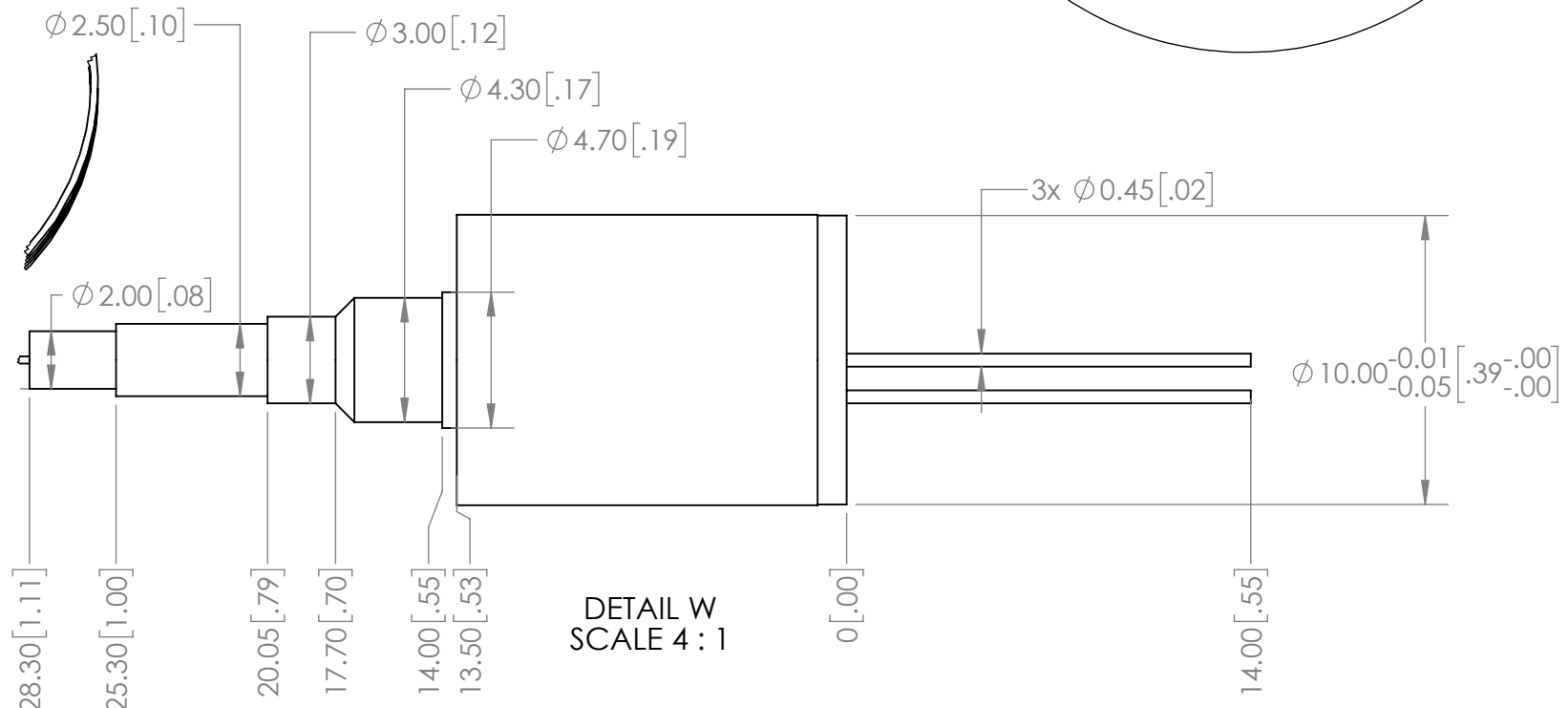
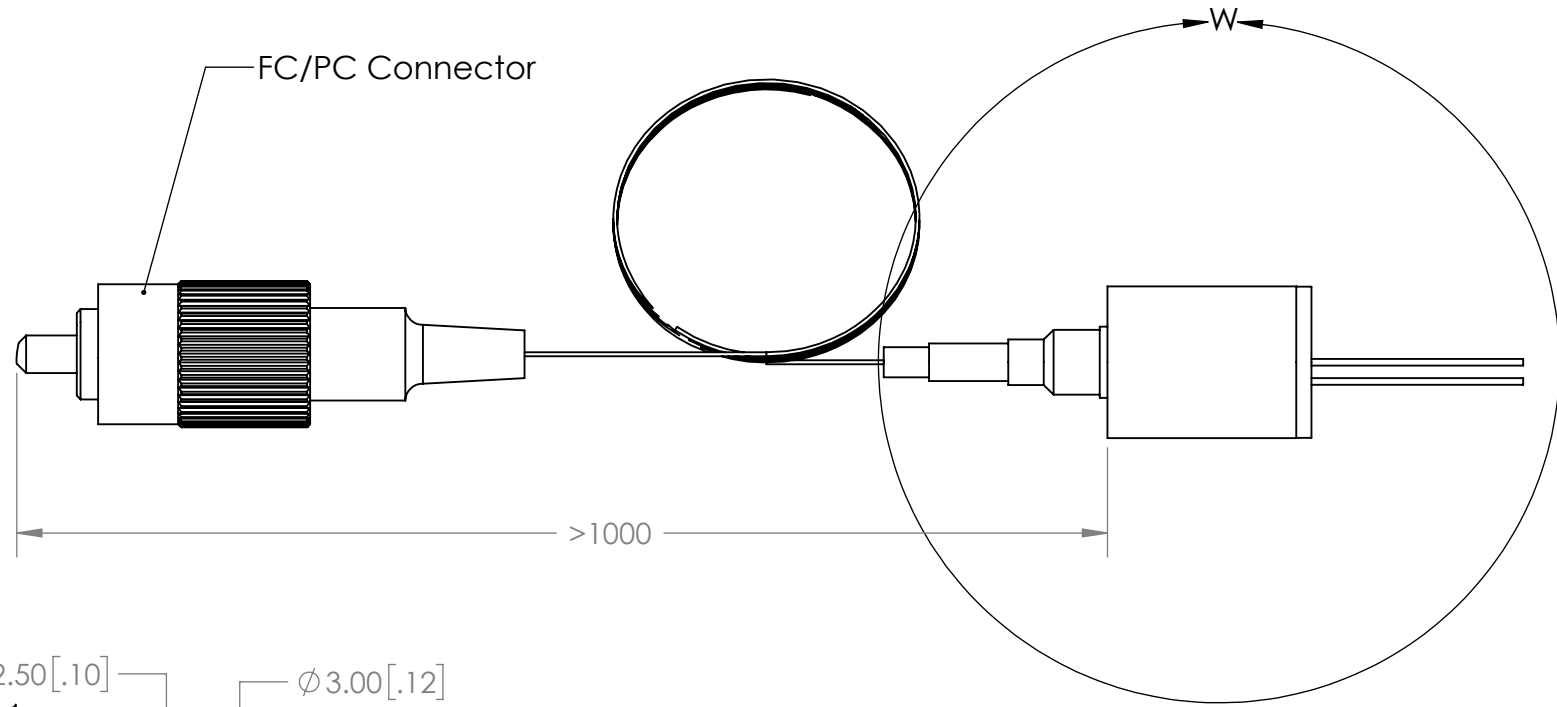


FOR REFERENCE ONLY

REVISIONS				
REV	DESCRIPTION	CO	DATE	APPROVED
A	INITIAL RELEASE	15334		



EXPORT CONTROLLED INFORMATION WARNING - THIS DOCUMENT CONTAINS TECHNICAL DATA WHOSE EXPORT IS RESTRICTED BY THE ARMS EXPORT CONTROL ACT (TITLE 22, U.S.C., SEC 2751, ET SEQ.) OR THE EXPORT ADMINISTRATION ACT OF 1979, AS AMENDED (TITLE 50, U.S.C., APP. 2401 ET SEQ.). VIOLATIONS OF THESE EXPORT LAWS ARE SUBJECT TO SEVERE CRIMINAL PENALTIES.	DIMENSIONS mm [in] UNLESS OTHERWISE SPECIFIED TOLERANCES ARE: ANGULAR: ± 30 MINUTES X $\pm .25 [0.010]$ X.X $\pm .13 [0.005]$ X.XX $\pm .05 [0.002]$ X.XXX $\pm .025 [0.001]$	NAME: JGT DATE: 2/12/2024	
	PROPRIETARY AND CONFIDENTIAL THE INFORMATION CONTAINED IN THIS DRAWING IS THE SOLE PROPERTY OF SHEAUMANN LASER, INC. ANY REPRODUCTION IN PART OR AS A WHOLE WITHOUT THE WRITTEN PERMISSION OF SHEAUMANN LASER, INC. IS PROHIBITED.	INTERPRET GEOMETRIC TOLERANCING PER: ASME Y14.5M-2018	DRAWN: JGT CHECKED: JGS ENG APPR.: JGS DH APPR.: ~
	DRAWING CLASSIFICATION UNCLASSIFIED	MATERIAL: Various FINISH (UNLESS OTHERWISE SPECIFIED): Various	Q.C.
	DO NOT SCALE DRAWING	THIRD ANGLE PROJECTION	

SHEAUMANN

TITLE: **Assembly, M9 TO Can**

SIZE B	CAGE CODE 5KD88	DWG. NO. TOP109017	REV A
SCALE: 1:1		SHEET 1 OF 1	