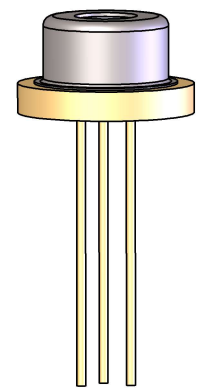
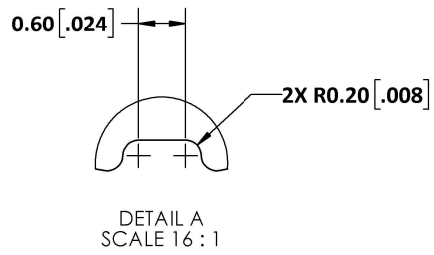
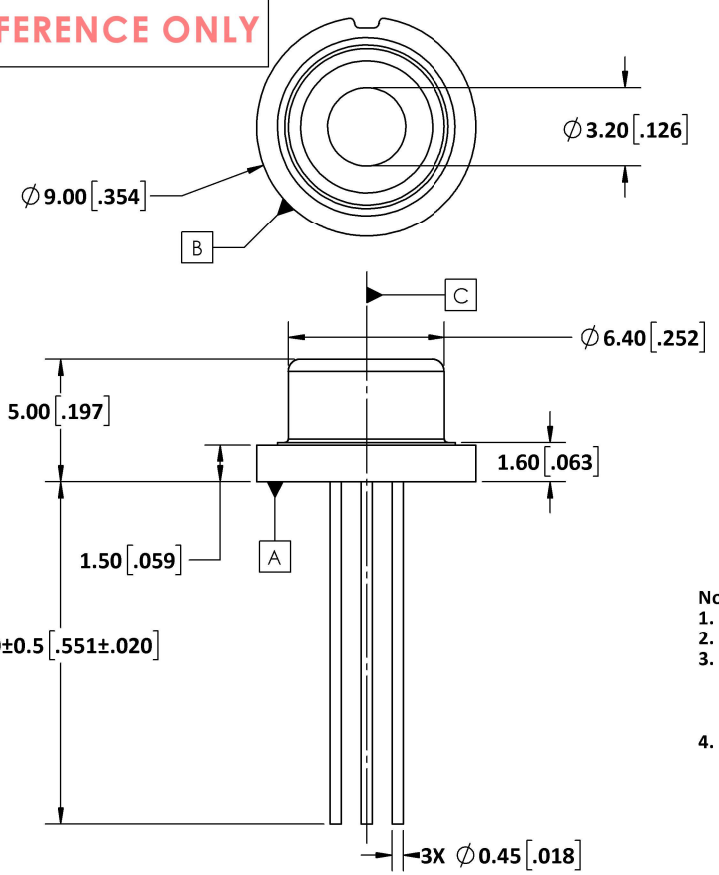


FOR REFERENCE ONLY

8 7 6 5 4 3 2 1

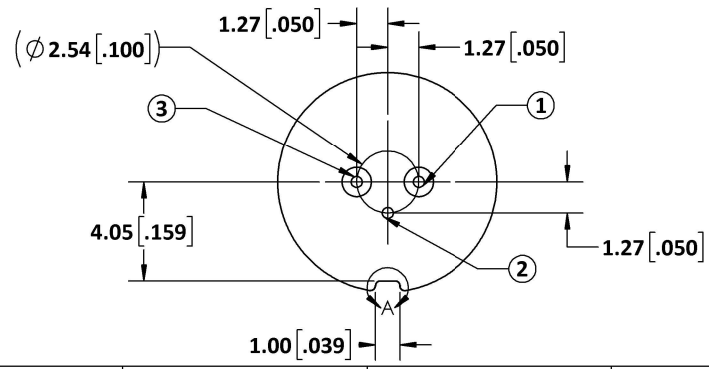
REVISIONS				
REV.	DESCRIPTION	CO	DATE	APPROVED
C	UPDATED DIMENSIONS	1235	2017/01/17	BP
D	UPDATED PIN-OUT TABLE	2701	2018/09/19	BP
E	UPDATED TO NEW DRAWING STARDARD	5332	2021/05/10	JDS



- Notes:
- Mechanical reference only.
 - Window is AR coated.
 - Mounting and/or thermal sinking solution must be sufficient to maintain device within operational specifications. Use of a thermal pad between package and heat sink is advised.
 - Device is ESD sensitive. Handling precautions are required to ensure device meets specifications. Please visit our website for safe handling information.

ELECTRICAL PIN-OUT (Multi-Mode)			
PIN	-xxP	-xxD	-xx0
1	LASER CATHODE (-)	LASER CATHODE (-)	LASER CATHODE (-)
2	LASER ANODE (+), PD CATHODE (-), CASE	LASER ANODE (+), PD ANODE (+), CASE	LASER ANODE (+), CASE
3	PD ANODE (+)	PD CATHODE (-)	-

ELECTRICAL PIN-OUT (Single-Mode)							
PIN	-RxP	-DxP(obsolete)	-SxP	-DxD	-SxD	-Sx0	-Dx0
1	LASER CATHODE (-)	LASER CATHODE (-)	LASER ANODE (+)	LASER CATHODE (-)	LASER ANODE (+)	LASER ANODE (+)	LASER CATHODE (-)
2	LASER ANODE (+), PD CATHODE (-), CASE	LASER ANODE (+), PD CATHODE (-), CASE	LASER CATHODE (-), PD CATHODE (-), CASE	LASER ANODE (+), PD ANODE (+), CASE	LASER CATHODE (-), PD ANODE (+), CASE	LASER CATHODE (-), CASE	LASER ANODE (+), CASE
3	PD ANODE (+)	PD ANODE (+)	PD ANODE (+)	PD CATHODE (-)	PD CATHODE (-)	-	-



EXPORT CONTROLLED INFORMATION		DIMENSIONS mm [in]	
WARNING - THIS DOCUMENT CONTAINS TECHNICAL DATA WHOSE EXPORT IS RESTRICTED BY THE ARMS EXPORT CONTROL ACT (TITLE 22, U.S.C. SEC 2751, ET SEQ.) OR THE EXPORT ADMINISTRATION ACT OF 1979, AS AMENDED (TITLE 50, U.S.C. APP. 2401 ET SEQ.). VIOLATIONS OF THESE EXPORT LAWS ARE SUBJECT TO SEVERE CRIMINAL PENALTIES.		UNLESS OTHERWISE SPECIFIED TOLERANCES ARE: ANGULAR: ± 30 MINUTES X ± .25 [.010] X.X ± .13 [.005] X.XX ± .05 [.002] X.XXX ± .025 [.001]	
PROPRIETARY AND CONFIDENTIAL THE INFORMATION CONTAINED IN THIS DRAWING IS THE SOLE PROPERTY OF SHEAUMANN LASER, INC. ANY REPRODUCTION IN PART OR AS A WHOLE WITHOUT THE WRITTEN PERMISSION OF SHEAUMANN LASER, INC. IS PROHIBITED.		INTERPRET GEOMETRIC TOLERANCING PER: ASME Y14.5M-2018	
DRAWING CLASSIFICATION UNCLASSIFIED		MATERIAL VARIOUS FINISH (UNLESS OTHERWISE SPECIFIED) VARIOUS	

SHEAUMANN

TITLE:
Assembly, 9.0mm TO Can (M9)

NAME GAP	DATE 2015/08/03
CHECKED NJC	2021/01/20
ENG APPR. JDS	2021/03/22
DH APPR. JGS	2021/03/25
Q.C. KES	2021/03/25

SIZE B	CAGE CODE 5KD88	DWG. NO. TOP109006	REV E
------------------	---------------------------	------------------------------	-----------------

SCALE: 5:1 SHEET 1 OF 2

8 7 6 5 4 3 2 1