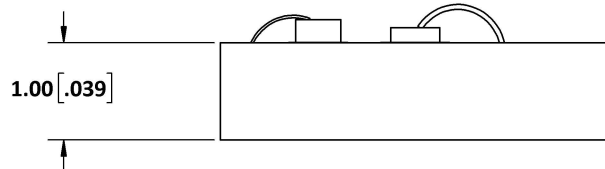
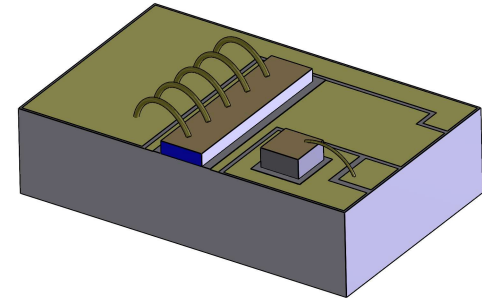
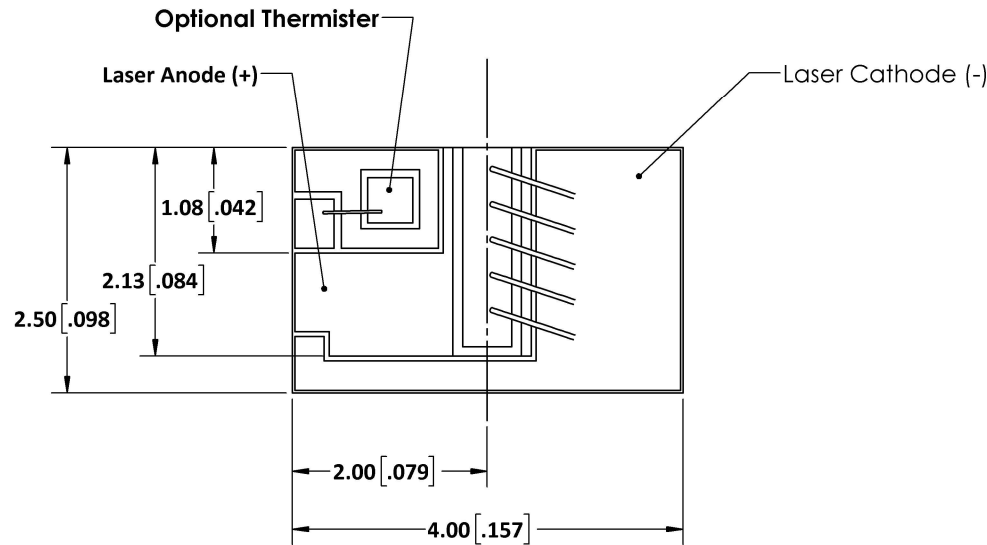


FOR REFERENCE ONLY

REVISIONS				
REV.	DESCRIPTION	CO	DATE	APPROVED
A	INITIAL RELEASE	-	-	AC
B	UPDATED TO NEW DRAWING STANDARDS	5332	2021/05/10	JDS



Notes:

1. Mechanical reference only.
2. Mounting and or thermal sinking solution must be sufficient to maintain device within operational specifications. Use of a thermal pad between package and heat sink is advised.
3. Device is ESD sensitive. Handling precautions are required to ensure device meets specifications. Please visit our website for safe handling information.

EXPORT CONTROLLED INFORMATION WARNING - THIS DOCUMENT CONTAINS TECHNICAL DATA WHOSE EXPORT IS RESTRICTED BY THE ARMS EXPORT CONTROL ACT (TITLE 22, U.S.C., SEC 2751, ET SEQ.) OR THE EXPORT ADMINISTRATION ACT OF 1979, AS AMENDED (TITLE 50, U.S.C., APP. 2401 ET SEQ.). VIOLATIONS OF THESE EXPORT LAWS ARE SUBJECT TO SEVERE CRIMINAL PENALTIES.	DIMENSIONS mm [in] UNLESS OTHERWISE SPECIFIED TOLERANCES ARE: ANGULAR: ± 30 MINUTES X ± .25 [.010] X.X ± .13 [.005] X.XX ± .05 [.002] X.XXX ± .025 [.001]	NAME: NJC DATE: 2021/04/29		SHEAUMANN TITLE: Laser on Basemount, QA
	PROPRIETARY AND CONFIDENTIAL THE INFORMATION CONTAINED IN THIS DRAWING IS THE SOLE PROPERTY OF SHEAUMANN LASER, INC. ANY REPRODUCTION IN PART OR AS A WHOLE WITHOUT THE WRITTEN PERMISSION OF SHEAUMANN LASER, INC. IS PROHIBITED.	INTERPRET GEOMETRIC TOLERANCING PER: ASME Y14.5M-2018 MATERIAL: VARIOUS FINISH (UNLESS OTHERWISE SPECIFIED): VARIOUS		
DRAWING CLASSIFICATION UNCLASSIFIED	DO NOT SCALE DRAWING	THIRD ANGLE PROJECTION		SIZE: B CAGE CODE: 5KD88 DWG. NO.: LOB260022 SCALE: 20:1
			REV: B SHEET 1 OF 2	