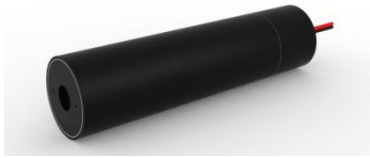


PGL-H1



PGL-H1 high power laser module is made features of small size, high output power, long lifetime, which made it be used widely in collimation, laser medical treatment, scientific experiment, optical instrument and so on.

SYSTEM SPECIFICATIONS*

Wavelength	nm	473	532	561	589	593.5	1064
Wavelength tolerance	nm	±1	±1	±5	±1	±1	±1
Output power	mW	1-50	1-500	1-10	1-50	1-30	1-800
Operating mode		CW					
Transverse mode		Near TEM ₀₀					
Beam diameter at the aperture(1/e ²)	mm	~1.5					
Beam divergence, full angle	mrad	~1.5					
Working time	seconds	30					
Expected lifetime	hours	10000					
Warranty	years	1					

Worked with TEC for long time operation.

ELECTRICAL SPECIFICATIONS

Operating voltage(internal PCB)	3VDC
Operating voltage(external PCB)	5VDC
Connection	Cable with flying leads

ENVIRONMENTAL CONDITIONS

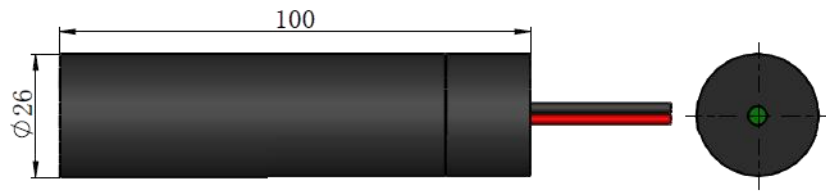
Operating temperature	10°C to 35°C
Storage temperature	-20°C to 80°C
Humidity	<90%, non-condensing
Dissipated heat	<6W

MECHANICAL SPECIFICATIONS

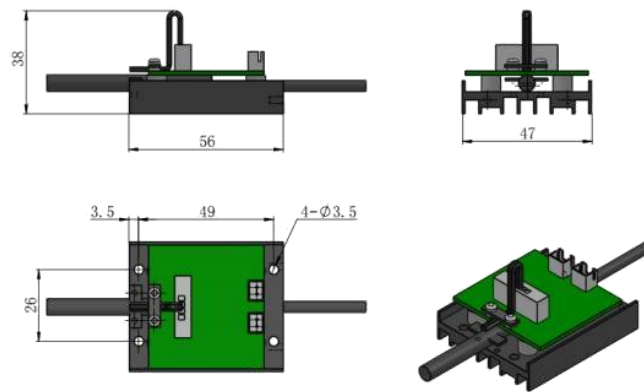
Laser head diameter Φ	mm	26
Length	mm	100
Material	Aluminum	

*All testing data under the conditions of temperature 25°C.

Dimensions of laser (Internal PCB, 3VDC, $\Phi 26 \times 100 \text{mm}^2$)



Dimensions of PCB ($11.2 \times 15 \times 19 \text{mm}^3$, 5VDC)

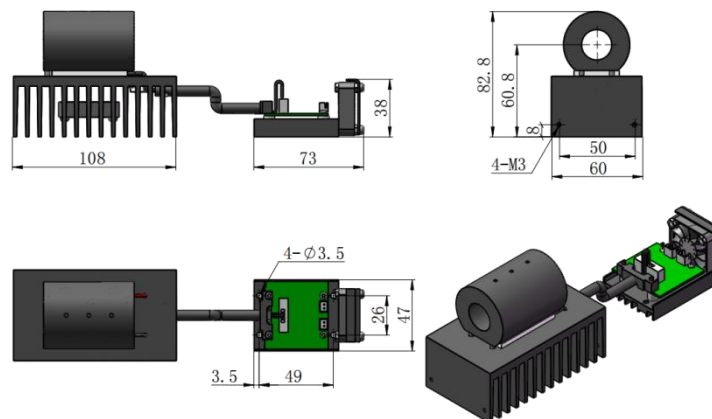


TEC SPECIFICATIONS

Operating voltage 5VDC

Operating current 2A

Dimensions of TEC (mm):





中国长春新产业光电技术有限公司
Changchun New Industries Optoelectronics Tech. Co., Ltd

AD-5V 5A POWER ADAPTER

Input 85-264VAC 47/63Hz

Output DC 5V 5A

Dimensions of power adapter (mm):

