



## PGL-H-445/447/450



PGL-H high power blue laser module is made features of small size, high output power, long lifetime, which made it be used widely in collimation, laser medical treatment, scientific experiment, optical instrument and so on.

### SYSTEM SPECIFICATIONS\*

Wavelength	nm	445/447/450
Wavelengthtolerance	nm	±10
Outputpower	mW	1-1000
Operating mode		CW
Transverse mode		Multimode
Beam diameter at the aperture(1/e <sup>2</sup> )	mm	~2×4
Beam divergence, full angle	mrad	<3×0.5
Working time	seconds	30
Expected lifetime	hours	10,000
Warranty	months	6

*Worked with TEC for long time operation.*

### ELECTRICAL SPECIFICATIONS

Operating voltage(external PCB1)	6VDC
Operating voltage(external PCB2)	6VDC(TTL10kHz or Analog0-5V)
Connection	Cable with flying leads

### ENVIRONMENTAL CONDITIONS

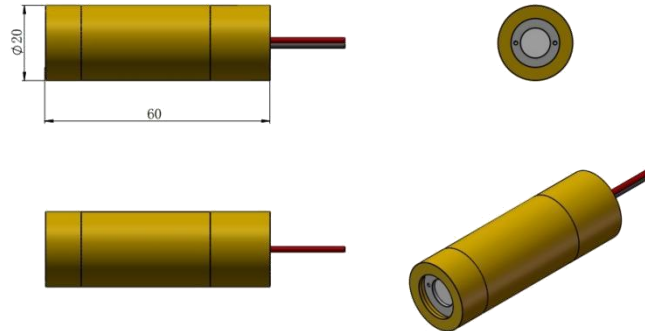
Operating temperature	0°C to 40°C
Storage temperature	-20°C to 80°C
Humidity	<90 %, non-condensing
Dissipated heat	<9W

### MECHANICAL SPECIFICATIONS

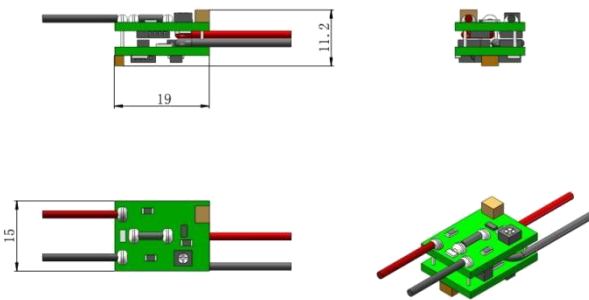
Laser head diameter Φ	mm	20
Length	mm	60
Material		Copper
Shell polarity		The shell has non-polarity.

\*All testing data under the conditions of temperature 25°C.

Dimensions of laser( $\Phi 20 \times 60 \text{mm}^2$ )



Dimensions of PCB1( $11.2 \times 15 \times 19 \text{mm}^3$ , 6VDC)



Dimensions of PCB2( $11.2 \times 15 \times 19 \text{mm}^3$ , 6VDC, TTL 10kHz or Analog 0-5V)

