



PGL-F/1-80mW

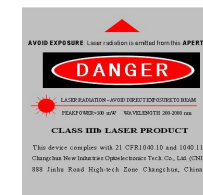
**PORTABLE LASER
AT 405~845 nm**



PGL-F-405~845nm is made features of small size, high stability and long lifetime in portable laser. It can be controlled by PC. The lens can be changed.



SPECIFICATIONS

Wavelength (nm)	405	445	450	520	635	637	685	845
Wavelength range	±5	±5	±5	±5	±5	±5	±10	±10
Output power (mW)	1-80	1-50	1-80	1-50	1-20	1-50	1-50	1-50
Operating mode	CW/ PC control							
Fan angle	10° ,15° ,30° ,45° ,50° ,60° ,75° ,90°							
Noise of amplitude (rms, 20Hz~20MHz)	<0.5%, 1%							
Modulation frequency(kHz)	0.1-50							
Pointing stability after warm-up (mrad/°C)	<0.05							
Warm-up time (minutes)	<5							
Operating temperature (°C)	10~35							
Power supply	USB 5V±0.5V 1A							
Expected lifetime (hours)	5000							
Warranty	6 months							



PGL-F	Dimensions
 <p>A: $\Phi 19 \times 90 \text{mm}^2$ B: $\Phi 19 \times 101 \text{mm}^2$</p>	 <p>A: The length of lens (point laser) : 5mm B: The length of lens (line laser) : 16mm</p>