



MSL-U series



SINGLE LONGITUDINAL MODE LASER

All solid state single longitudinal mode laser is made features of ultra compact, long lifetime, low cost and easy operating, which is used in DNA sequencing, flow cytometry, cell sorting, optical instrument, spectrum analysis, interference, measurement, holography, physics experiment, etc.

SPECIFICATIONS

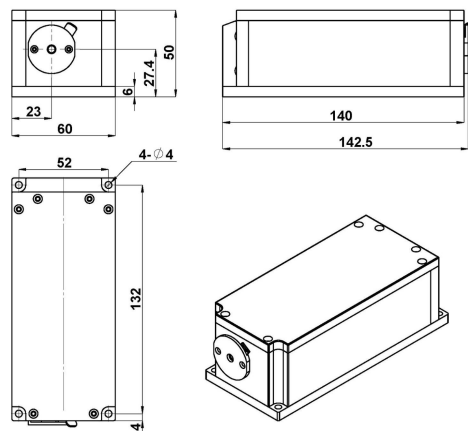


| | | | | | | |
|---|--|---------------|----------------------|---------------|---------------|--|
| Wavelength (nm) | 457±1 | 473±1 | 532±1 | | 671±1 | Other wavelengths can be customized, please consult. |
| Operating mode | CW | | | | | |
| Output power (mW) | 1-300 | 1-80 | 1-300 | 300-1000 | 1-400 | |
| Power stability (rms, over 4 hours) | <3%, <2%, <1% | <3%, <2%, <1% | <3%, <2%, <1%, <0.5% | <5%, <3%, <2% | <3%, <2%, <1% | |
| Transverse mode | TEM ₀₀ | | | | | |
| Longitudinal mode | Single | | | | | |
| Spectral line width (nm) | <0.00001 | | <1MHz | | <0.00001 | |
| Noise of amplitude (rms, 1Hz~20MHz) | <1%, <0.5% | | <1%, <0.5%, <0.25% | | <1%, <0.5% | |
| M ² factor | <1.2 | | | | | |
| Beam diameter at the aperture (1/e ² , mm) | <1.0 | | | | | |
| Beam divergence (mrad) | <1.5 | | | | | |
| Polarization Ratio | >100:1, Vertical (Horizontal Optional) | | | | | |
| Warm-up time (minutes) | <5 | | | | | |
| Pointing stability after warm-up (mrad) | <0.05 | | | | | |
| Frequency shift over 8 hours (MHz) (Optional) | <±200 | | | | | |
| Frequency shift with Temp (MHz/°C) (Optional) | <200 | | | | | |
| Coherent length (m) | >50 | | | | | |
| Beam height from base plate (mm) | 27.4 | | | | | |
| Laser head consumption(W) | 15 (typical) , <25 (40°C) | | | | | |
| Max. Laser Head Base plate Temp (°C) | 50 | | | | | |
| Operating Temperature (°C) | 10-35 | | | | | |
| Power supply (90-264VAC) | PSU-H-FDA | | | | | |
| Expected lifetime (hours) | 10000 | | | | | |
| Warranty | 1 year | | | | | |

Note: The laser head needs to be used on a heat sink with good heat dissipation.

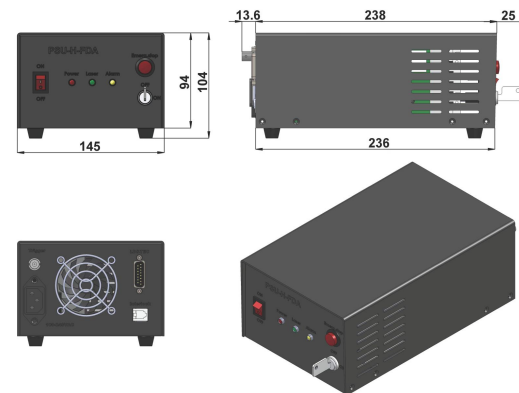


LASER HEAD



142.5 (L) × 60 (W) × 50 (H) mm³, 1.0 kg

POWER SUPPLY



276.6 (L) × 145 (W) × 103.6 (H) mm³, 2.3 kg