



MSL-DP-xxx-A series

SINGLE LONGITUDINAL MODE LASER

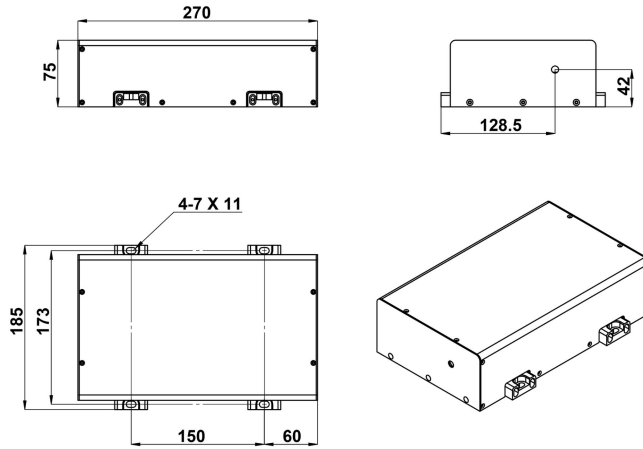
All solid state single longitudinal mode laser is made features of ultra compact, easy operating, high power and stability, which is perfect for flow cytometry, spectrum analysis, microscopy, semiconductor inspection, cell sorting, optical instrument, , physics experiment, etc.



SPECIFICATIONS

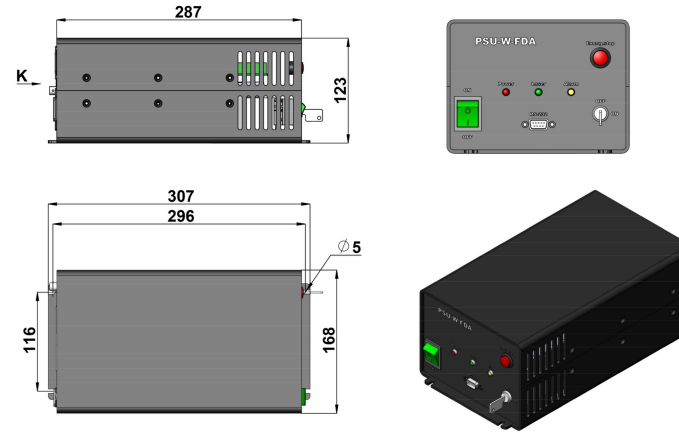
Central wavelength (nm)	335±1	349±1	360±1
Operating mode	CW		
Output power (mW)	10-30	20-50	100-150
Power stability (rms, over 4 hours)	<3%, <2%, <1%		
Transverse mode	TEM ₀₀		
Longitudinal mode	Single		
Spectral linewidth (nm)	<0.00001		
Coherent length (m)	>10		
Noise of amplitude (rms, 1Hz~20MHz)	<1%, <0.5%		
M ² factor	<1.2, <1.1		
Beam diameter at the aperture (1/e ² , mm)	<1.5		
Beam divergence, full angle (mrad)	<1.5		
Warm-up time (minutes)	<10		
Beam height from base plate (mm)	42		
Cooled method	Fan Cooled		
Operating temperature (°C)	10-35		
Power supply	PSU-W-FDA		
Warranty	1 year		

LASER HEAD



270(L)×185(W)×75(H) mm³

POWER SUPPLY



287(L)×168(W)×123(H) mm³