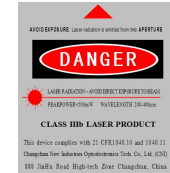


MLL-FN series



LD PUMPED ALL-SOLID-STATE LOW NOISE LASER

Low noise all solid state laser is made features of high output power stability, good beam profile, ultra compact, long lifetime, low cost and easy operating, which is widely used in collimation, laser medical treatment, scientific experiment, optical instrument, etc.



SPECIFICATIONS

Wavelength (nm)	320±1	335±1	349±1	355±1	360±1	473±1	522±1	523.5±1		
Operating mode	CW									
Output power (mW)	1-30	1-10	1-50	1-10	1-100	100-200	200-400	1-400	1-300	300-600
Power stability (rms, over 4 hours)	<2%, <1%	<2%, <1%	<2%, <1%	<5%, <3%	<2%, <1%, <0.5%	<3%, <2%, <1%	<3%, <2%	<3%, <2%	<3%, <2%	<5%, <3%
Spectral line width (nm)	<0.1, <0.003					<0.1, <0.003	<0.1	<0.1, <0.003		
Transverse mode	Near TEM ₀₀					TEM ₀₀				
Noise of amplitude (rms, 1Hz~20MHz)	<1%									
M ² factor	<1.5									
Beam diameter at the aperture (1/e ² , mm)	<1.2							<2.0		
Beam divergence, full angle (mrad)	<1.0			<1.5	<1.0			<1.5		
Polarization Ratio	>50:1, Horizontal (Vertical Optional)			>50:1, Vertical (Horizontal Optional)	>50:1, Horizontal (Vertical Optional)	>100:1, Vertical (Horizontal Optional)				
Warm-up time (minutes)	<10					<5				
Pointing stability after warm-up (mrad)	<0.05									
Beam height from base plate (mm)	27.4									
Max. Laser Head Base plate Temp (°C)	50									
Operating Temperature (°C)	10-35									
Power supply	90-264VAC				PSU-H-FDA					
	DC 12V				PSU-H-OEM					
Expected lifetime (hours)	/					10000				
Warranty	1 year									

Note: The laser head needs to be used on a heat sink with good heat dissipation.



SPECIFICATIONS

Wavelength (nm)	526.5±1		532±1		543±1	543.5±1	550±1	556±1	561±1
Operating mode	CW								
Output power (mW)	1-200	200-400	1000-1500	1500-2500	1-200	1-100	1-80	1-200	200-400
Power stability (rms, over 4 hours)	<3%, <2%, <1%	<3%, <2%	<3%, <2%, <1%	<3%, <2%	<3%, <2%, <1%	<3%, <2%, <1%	<3%, <2%	<3%, <2%, <1%	<3%, <2%, <1%
Spectral line width (nm)	<0.1, <0.003			<0.1	<0.1, <0.003				
Transverse mode	NearTEM ₀₀							TEM ₀₀	
Noise of amplitude (rms, 1Hz~20MHz)	<1%	<1%, <0.5%			<1%				
M ² factor	<1.5	<1.2, <1.1	<1.2			<1.5	<1.2		
Beam diameter at the aperture (1/e ² , mm)	<2.0								
Beam divergence, full angle (mrad)	<1.5								
Polarization Ratio	>100:1, Vertical (Horizontal Optional)			>100:1, Horizontal (Vertical Optional)	>100:1, Vertical (Horizontal Optional)				
Warm-up time (minutes)	<5								
Pointing stability after warm-up (mrad)	<0.05								
Beam height from base plate (mm)	27.4								
Max. Laser Head Base plate Temp (°C)	50								
Operating Temperature (°C)	10-35								
Power supply	90-264VAC				PSU-H-FDA				
	DC 12V				PSU-H-OEM				
Expected lifetime (hours)	10000								
Warranty	1 year								

Note: The laser head needs to be used on a heat sink with good heat dissipation.



SPECIFICATIONS

Wavelength (nm)	588±2	589±1	594±1	607±1		639±1		660±1
Operating mode	CW							
Output power (mW)	200-300	200-300	1-50	1-200	200-600	1-400	400-1500	1-200
Power stability (rms, over 4 hours)	<3%, <2%, <1%, <0.5%		<3%, <2%	<3%, <2%, <1%, <0.5%		<3%, <2%, <1%, <0.5%		<3%, <2%, <1%
Spectral line width (nm)	<0.1, <0.003		<0.1	<0.1, <0.003	<0.1	<0.1, <0.003	<0.1	<0.1, <0.003
Transverse mode	TEM ₀₀							
Noise of amplitude (rms, 1Hz~20MHz)	<1%, <0.5%		<1%			<1%, <0.5%	<1%	<1%, <0.5%
M ² factor	<1.2		<1.5			<1.2, <1.1	<1.2	
Beam diameter at the aperture (1/e ² , mm)	<1.5					<1.0		<2.0
Beam divergence, full angle (mrad)	<1.5		<2.0			<1.5		<1.2
Polarization Ratio	>100:1, Horizontal (Vertical Optional)			>100:1, Vertical (Horizontal Optional)		>100:1, Horizontal (Vertical Optional)		
Warm-up time (minutes)	<5							
Pointing stability after warm-up (mrad)	<0.05							
Beam height from base plate (mm)	27.4							
Max. Laser Head Base plate Temp (°C)	50							
Operating Temperature (°C)	10-35							
Power supply	90-264VAC			PSU-H-FDA				
	DC 12V			PSU-H-OEM				
Expected lifetime (hours)	10000							
Warranty	1 year							

Note: The laser head needs to be used on a heat sink with good heat dissipation.

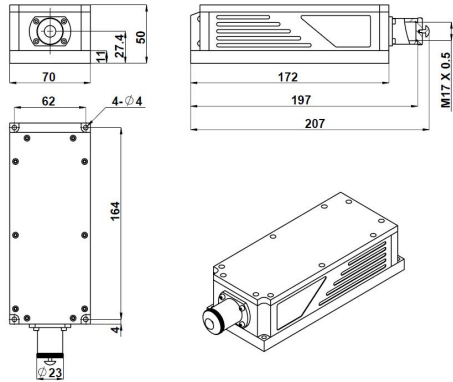


SPECIFICATIONS

Wavelength (nm)	670±0.5		671±1		698±1		721±1	
Operating mode	CW							
Output power (mW)	1-200	200-500	500-600	600-1000	1-300	300-1200	1-100	100-800
Power stability (rms, over 4 hours)	<3%, <2%, <1%		<3%, <2%, <1%	<3%, <2%	<3%, <2%	<5%, <3%	<3%, <2%, <1%, <0.5%	
Spectral line width (nm)	<0.1, <0.003	<0.1	<0.1, <0.003	<0.1	<0.1, <0.003	<0.1	<0.1, <0.003	<0.1
Transverse mode	TEM ₀₀	Near TEM ₀₀			TEM ₀₀	Near TEM ₀₀	TEM ₀₀	
Noise of amplitude (rms, 1Hz~20MHz)	<1%, <0.5%		<1%				<1%, <0.5%	<1%
M ² factor	<1.2	<2.0	<1.2, <1.1	<1.2	<1.5		<1.2	
Beam diameter at the aperture (1/e ² , mm)	<2.0		~2.0		<2.0			
Beam divergence, full angle (mrad)	<1.2		<1.5				<1.2	
Polarization Ratio	>100:1, Horizontal (Vertical Optional)		>100:1, Vertical (Horizontal Optional)		>100:1, Horizontal (Vertical Optional)			
Warm-up time (minutes)	<5							
Pointing stability after warm-up (mrad)	<0.05							
Beam height from base plate (mm)	27.4							
Max. Laser Head Base plate Temp (°C)	50							
Operating Temperature (°C)	10-35							
Power supply	90-264VAC		PSU-H-FDA					
	DC 12V		PSU-H-OEM					
Expected lifetime (hours)	10000							
Warranty	1 year							

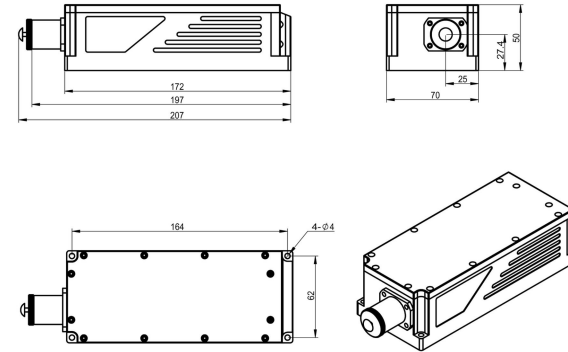
Note: The laser head needs to be used on a heat sink with good heat dissipation.

LASER HEAD



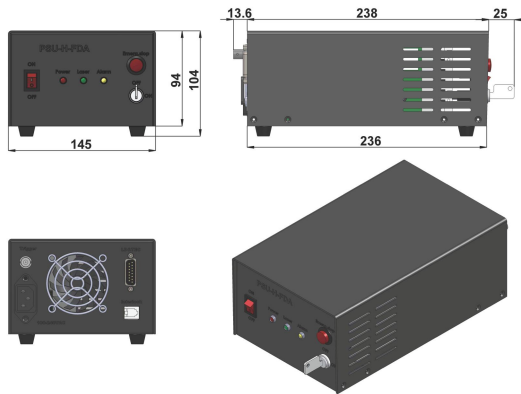
197(L)×70(W)×50(H) mm³, 1.5 kg

LASER HEAD (MLL-FN-320/ 335/ 349/ 360)



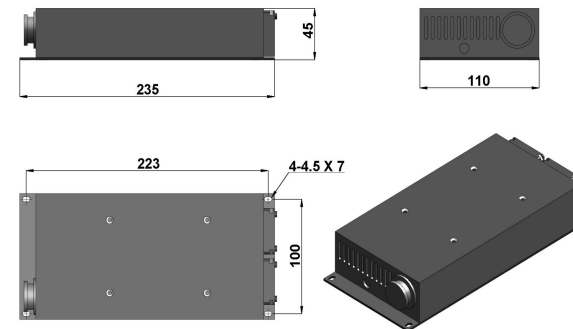
207(L)×70(W)×50(H) mm³, 1.5 kg

POWER SUPPLY (PSU-H-FDA)



276.6(L)×145(W)×103.6(H) mm³, 2.3 kg

POWER SUPPLY (PSU-H-OEM)



235(L)×110(W)×45(H) mm³, 1.1kg