



MDL-PS-447/1~60mW



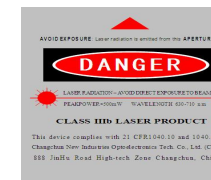
**PICOSECOND PULSED BLUE
DIODE LASER AT 447nm**

It features integrated electronics, repetition rate 100kHz to 80MHz, synchronized signal output. Fast ON/ OFF/ multiplexing capability. Suitable for fluorescence excitation, time resolve spectrum, highly sensitive absorption spectroscopy, etc.

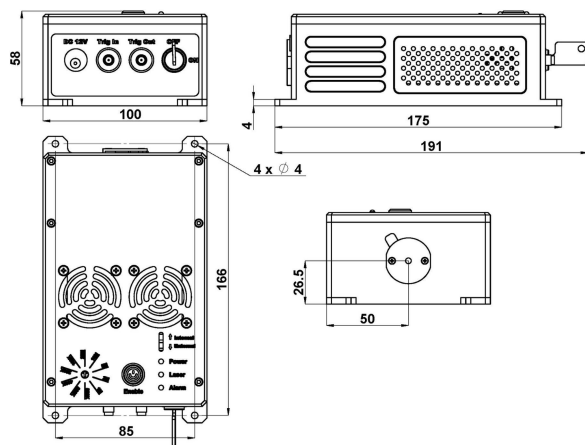


SPECIFICATIONS

| | | |
|---|--|-------------|
| Central wavelength (nm) | 447±5 | |
| Operating mode | Pulsed | |
| Peak power (mW) | 1~60 | |
| Power stability (rms, over 4 hours) | <3%, <2%, <1% | |
| Pulse width (ps) | 100~1000 (unadjustable) | |
| Transverse mode | Near TEM ₀₀ | |
| User trigger frequency | 100kHz~20MHz (Internal trigger available) | 20MHz~80MHz |
| Beam diameter at the aperture (1/e ² , mm) | ~1.2 | |
| Beam divergence, full angle (mrad) | ~1.0 | |
| Warm-up time (minutes) | <5 | |
| Beam height from base plate (mm) | 26.5 | |
| Operating temperature (°C) | 10~35 | |
| Operating voltage | DC12V 4A | |
| Warranty | 1 year | |

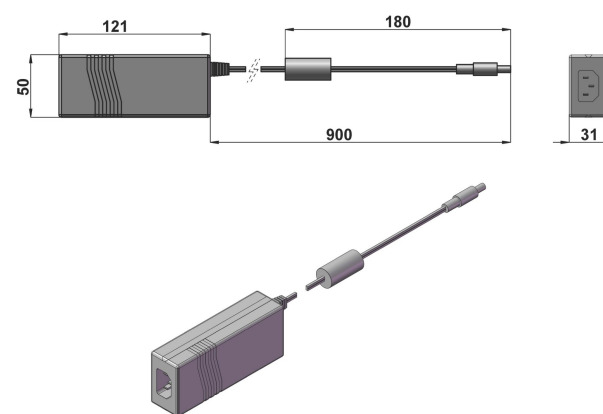


MDL-PS-447



191(L)×100(W)×58(H) mm³, 1.2kg

Optional Power Supply (100-240VAC)



121(L)×50(W)×31(H) mm³, 0.3kg