

MDL-III-395L/1~100mW



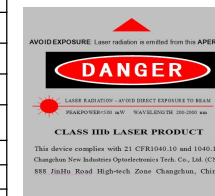
VIOLET DIODE LASER
AT 395nm

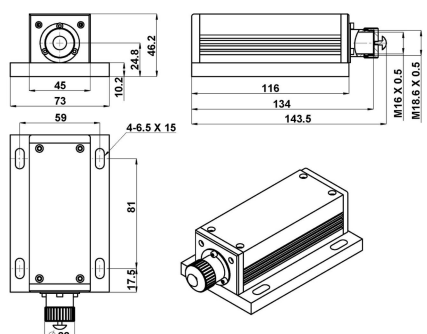
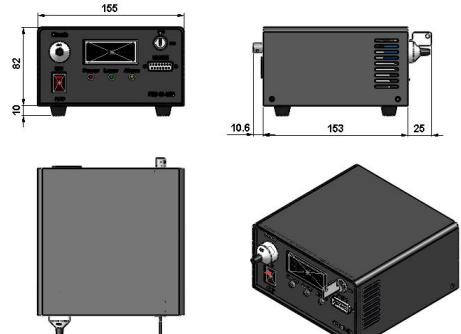
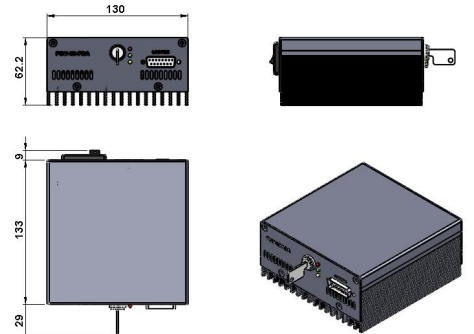
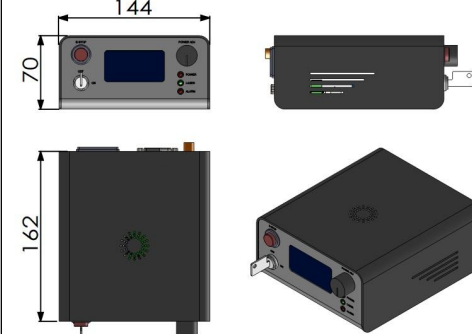
It features ultra compact design, long lifetime, cost-effectiveness and easy operation. They are used in measurement, communication, spectrum analysis, etc.



SPECIFICATIONS

Central wavelength (nm)	395±5
Operating mode	CW
Output power (mW)	>1, 10, 20, ...,100
Power stability (rms, over 4 hours)	<3%, <2%, <1%, <0.5%
Transverse mode	Near TEM ₀₀
M ² factor	<1.5 (<1.2, optional)
Beam diameter at the aperture (1/e ² ,mm)	~3.5 (~1.2, optional)
Beam divergence, full angle (mrad)	<1.0
Polarization ratio	>50:1 (>100:1, optional) Horizontal±5 degree (Vertical Optional)
Warm-up time (minutes)	<5
Pointing stability after warm-up (mrad)	<0.05
Beam height from base plate (mm)	24.8
Operating temperature (°C)	10~35
Power supply	85-264VAC PSU-III-LED/ PSU-III-FDA (Frequency for 1Hz-30kHz)
	100-240VAC PSU-A-D (Frequency for 30kHz -100kHz)
Modulation optional	TTL on/off, 1Hz-1kHz, 1kHz-10kHz, 10kHz-30kHz, 30kHz-100kHz; and Analog modulation optional
Expected lifetime (hours)	10000
Warranty	1 year



MDL-III-395L	PSU-III-LED	PSU-III-FDA	PSU-A-D
 <p>143.5(L) × 73(W) × 46.2(H) mm³, 0.7kg</p>	 <p>188.6 (L) × 155(W) × 92 (H) mm³, 1.5kg</p>	 <p>171(L) × 130(W) × 62.2 (H) mm³, 1.2kg</p>	 <p>162(L) × 144(W) × 70 (H) mm³, 1.0kg</p>