

MDL-E-488/1~70mW



**NARROW LINEWIDTH
DIODE LASER AT 488nm**

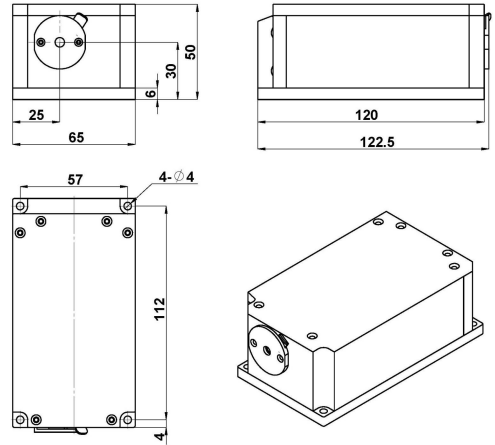
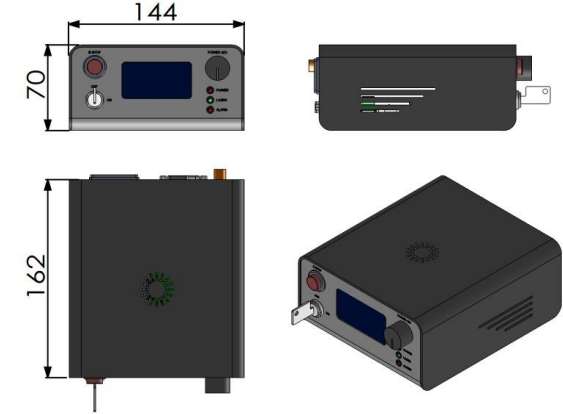
It features a narrow spectral linewidth, stable wavelength, long lifetime and easy operation. They are widely used in precision measurement, high resolution spectrum analysis, etc.



SPECIFICATIONS

Central wavelength (nm)	488±0.5	
Operating mode	CW	
Output power (mW)	>1, 5, 10, ...,30	>30, 40, ...,70
Power stability (rms, over 4 hours)	<3%, <2%, <1%	
Transverse mode	Near TEM ₀₀	
Spectral linewidth (nm)	<0.06 (<0.03, optional)	
M ² factor	<1.5	
Beam diameter at the aperture (1/e ² ,mm)	~2.0	
Beam divergence, full angle (mrad)	~1.5	
Polarization ratio	>50:1 (>100:1, optional) Horizontal±5 degree (Vertical Optional)	
Warm-up time (minutes)	<5	
Beam height from base plate (mm)	30	
Operating temperature (°C)	20~30	
Power supply (100-240VAC)	PSU-A-D	
Expected lifetime (hours)	10000	
Warranty	1 year	



MDL-E-488	PSU-A-D
 <p>122.5(L) × 65(W) × 50 (H) mm³, 1.0kg</p>	 <p>162(L) × 144(W) × 70 (H) mm³, 1.0kg</p>