

MBL-N-457-AOM/1~800mW



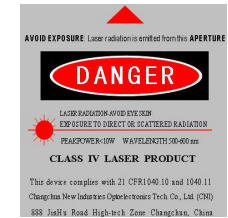
**LD PUMPED ALL-SOLID-STATE
BLUE LASER AT 457NM**

All solid state 457nm blue laser is made features of ultra compact, long lifetime and easy operating, which is widely used in collimation, laser medical treatment, scientific experiment, optical instrument, etc.

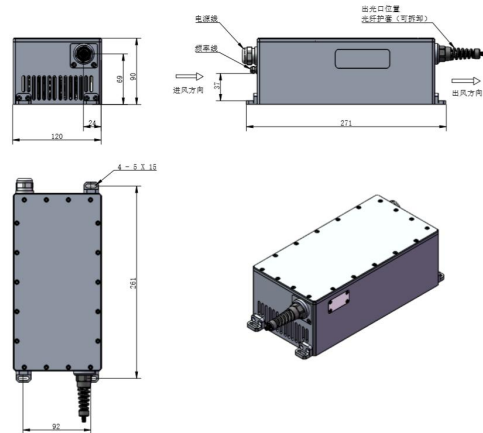


SPECIFICATIONS

Wavelength (nm)	457±1
Operating mode	CW
Output power (mW)	>1, 100, 200, ..., 800
Power stability (rms, over 4 hours)	<1%, <2%, <3%
Transverse mode	Near TEM ₀₀
M ² factor	1.5~3.0
Beam divergence, full angle (mrad)	<1.2
Beam diameter at the aperture (1/e ² , mm)	~2.0
Warm-up time (minutes)	<10
Polarization ratio	>100:1
Beam height from base plate (mm)	69
Operating temperature (°C)	10~35
Power supply (90-264VAC)	PSU-W-LED
Modulation	1MHz
Expected lifetime (hours)	10000
Warranty period	1 year

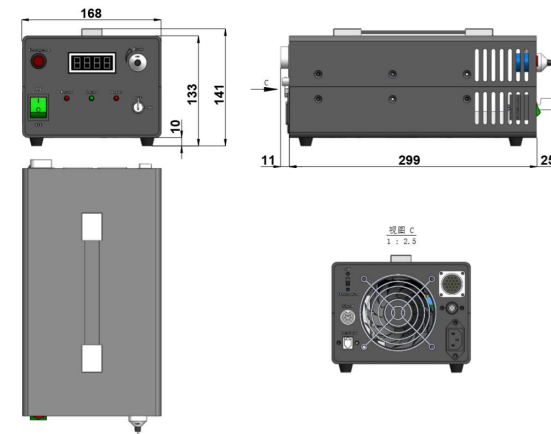


MBL-N-457-AOM



271 (L) × 120 (W) × 90 (H) mm³, 4.2 kg

PSU-W-LED



335 (L) × 168 (W) × 141 (H) mm³, 4.2 kg