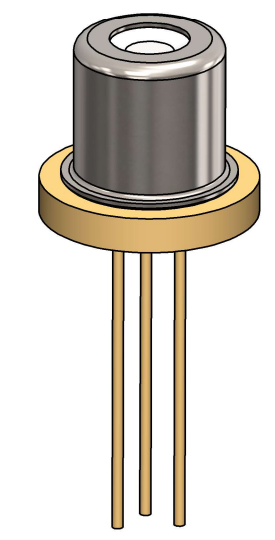
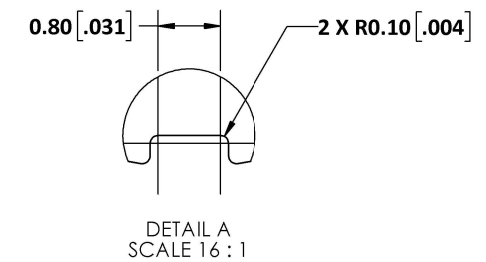
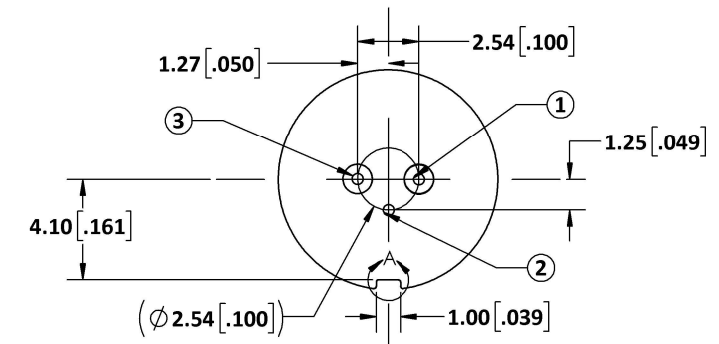
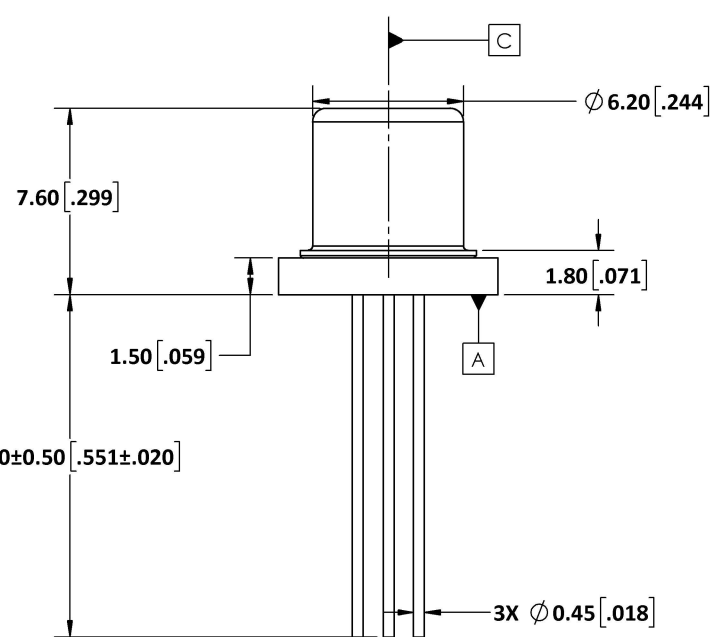
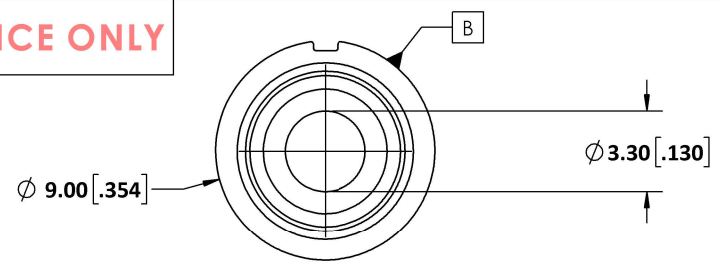


FOR REFERENCE ONLY



REVISIONS				
REV.	DESCRIPTION	CO	DATE	APPROVED
A	INITIAL RELEASE	-	-	AC
B	UPDATED TO NEW DRAWING STANDARD	5332	2021/05/10	JDS

ELECTRICAL PIN-OUT	
PIN	-RXP
1	LASER CATHODE (-)
2	LASER ANODE (+) PD CATHODE (-), CASE
3	PD ANODE (+)

- NOTES:**
- Mechanical Reference only.
 - Window is AR coated.
 - Mounting and/or thermal sinking solution must be sufficient to maintain device within operational specifications. Use of a thermal pad between package base and heat sink is advised.
 - Device is ESD sensitive. Handling precautions are required to ensure device meets specifications. Please visit our website for safe handling information.

EXPORT CONTROLLED INFORMATION
 WARNING - THIS DOCUMENT CONTAINS TECHNICAL DATA WHOSE EXPORT IS RESTRICTED BY THE ARMS EXPORT CONTROL ACT (TITLE 22, U.S.C. SEC 2751, ET SEQ.) OR THE EXPORT ADMINISTRATION ACT OF 1979, AS AMENDED (TITLE 50, U.S.C. APP. 2401 ET SEQ.). VIOLATIONS OF THESE EXPORT LAWS ARE SUBJECT TO SEVERE CRIMINAL PENALTIES.

PROPRIETARY AND CONFIDENTIAL
 THE INFORMATION CONTAINED IN THIS DRAWING IS THE SOLE PROPERTY OF SHEAUMANN LASER, INC. ANY REPRODUCTION IN PART OR AS A WHOLE WITHOUT THE WRITTEN PERMISSION OF SHEAUMANN LASER, INC. IS PROHIBITED.

DRAWING CLASSIFICATION
 UNCLASSIFIED

DIMENSIONS mm [in]
UNLESS OTHERWISE SPECIFIED TOLERANCES ARE:
 ANGULAR: ± 30 MINUTES
 X ±.25 [.010]
 X.X ±.13 [.005]
 X.XX ±.05 [.002]
 X.XXX ±.025 [.001]

INTERPRET GEOMETRIC TOLERANCING PER: ASME Y14.5M-2018

MATERIAL: VARIOUS
 FINISH (UNLESS OTHERWISE SPECIFIED): VARIOUS

DO NOT SCALE DRAWING

NAME	DATE
DRAWN: NJC	2020/10/29
CHECKED: AH	2020/11/24
ENG APPR.: JDS	2021/03/22
DH APPR.: JGS	2021/03/25
Q.C.: KES	2021/03/25

THIRD ANGLE PROJECTION

SHEAUMANN

TITLE:
Assembly, 9.0mm TO Can, Tall Cap (M9T)

SIZE: B	CAGE CODE: 5KD88	DWG. NO.: TOP109005	REV: B
SCALE: 5:1			SHEET 1 OF 2