

FC-W-375H-II/ 10~20W

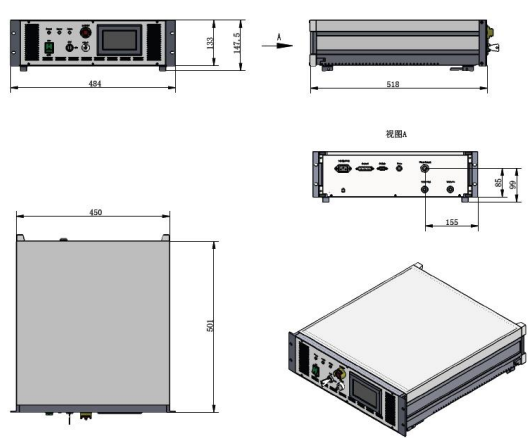
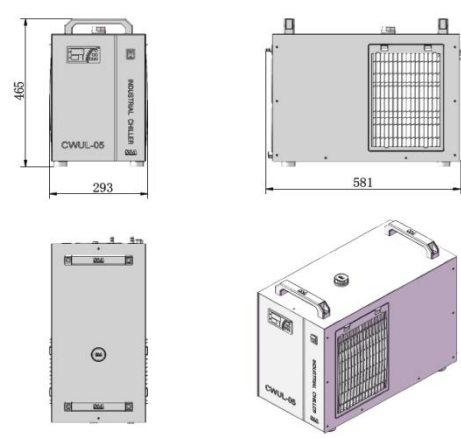
**HIGH POWER FIBER COUPLING
DIODE LASER SYSTEM AT 375 nm**

The FC-W-375H-II series (Fiber Coupling Laser System) have integrated laser diode, fiber coupling optics, laser power supply, LD current and temperature control in ONE box. Its compact dimension and convenient functions, such as power adjustment, temperature control, LED display etc, make it very suitable for scientific research, industrial and medical applications.

SPECIFICATIONS

Wavelength (nm)	375±5
Operating mode	CW
Output power (W) @ after 400um fiber	10~20 (Higher power can be customized.)
Fiber Core Diameter (um)	400, 600...
Fiber Connector	SMA905/ FC/ QBH
Numerical Aperture (NA)	0.22
Power stability (rms, over 4 hours)	<1%
Warm-up time (minutes)	<5
Operating temperature (°C)	10-40
Input power	100-240VAC, 50 to 60 Hz
Modulation option	TTL/ Analog 1Hz-30KHz, TTL on/ off
Cooling Way	Water Cooled
Dimensions(mm ³)	518 (L)×450 (W)×147.5 (H)mm ³
Expected lifetime (hours)	10000
Warranty	1 year



FC-W-375H-II (Water Cooled)	Water Chiller (WCH-370) (Optional)
 <p>518 (L)×484 (W)×147.5 (H)mm³</p>	 <p>581 (L)×293 (W)×465 (H)mm³</p>