

EO-266-Subnano/1~40μJ/1~50mW

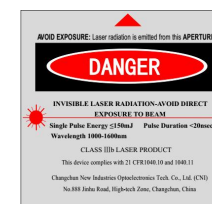
## HIGH ENERGY DIODE PUMPED ALL-SOLID-STATE Q-SWITCHED LASER

High energy diode pumped all solid state Q-switched laser at 266nm has the features of high single pulse energy, short pulse duration, and high peak power, which is widely used in biomedicine, environmental monitoring, scientific research, and so on.

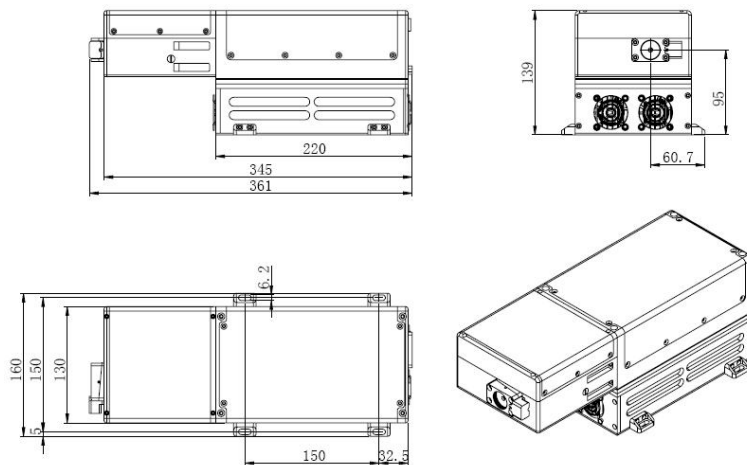


### SPECIFICATIONS

|                                    |                                |
|------------------------------------|--------------------------------|
| Wavelength (nm)                    | 266±1nm                        |
| Operating mode                     | Q-switched: EO (Electro-optic) |
| Single pulse energy (uJ)           | >40uJ@1KHz                     |
| Output power(mW)                   | 40mW@1KHz, 50mW@5KHz           |
| Power stability                    | <3% ,<5%                       |
| Pulse duration (ns)                | <2ns@1KHz                      |
| Rep. rate (kHz)                    | 1KHz~5KHz                      |
| Beam diameter (mm)                 | ~1.5mm                         |
| Beam divergence, full angle (mrad) | <5mrad                         |
| Beam height from base plate (mm)   | 95                             |
| Cooled method                      | Air cooled                     |
| Warm-up time (minutes)             | <15                            |
| Power supply                       | AC 220V/DC 24V                 |
| Warranty period                    | 1 year                         |

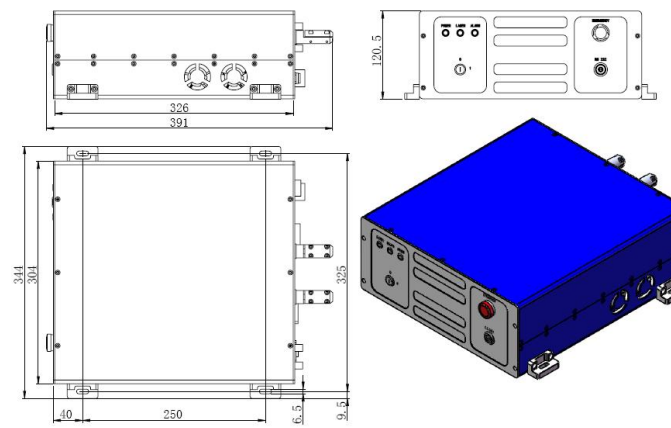


EO-266-Subnano



361(L)×160(W)×139(H)mm<sup>3</sup> 8kg

PSU-EO-Subnano



391(L)×344(W)×120.5(H)mm<sup>3</sup> 10kg