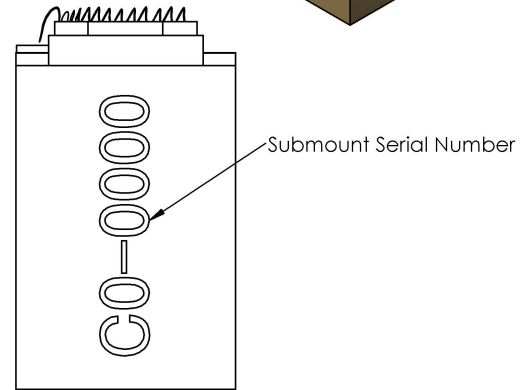
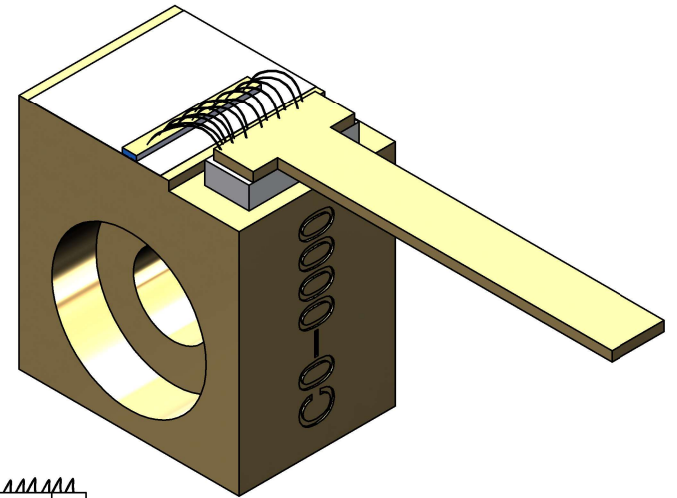
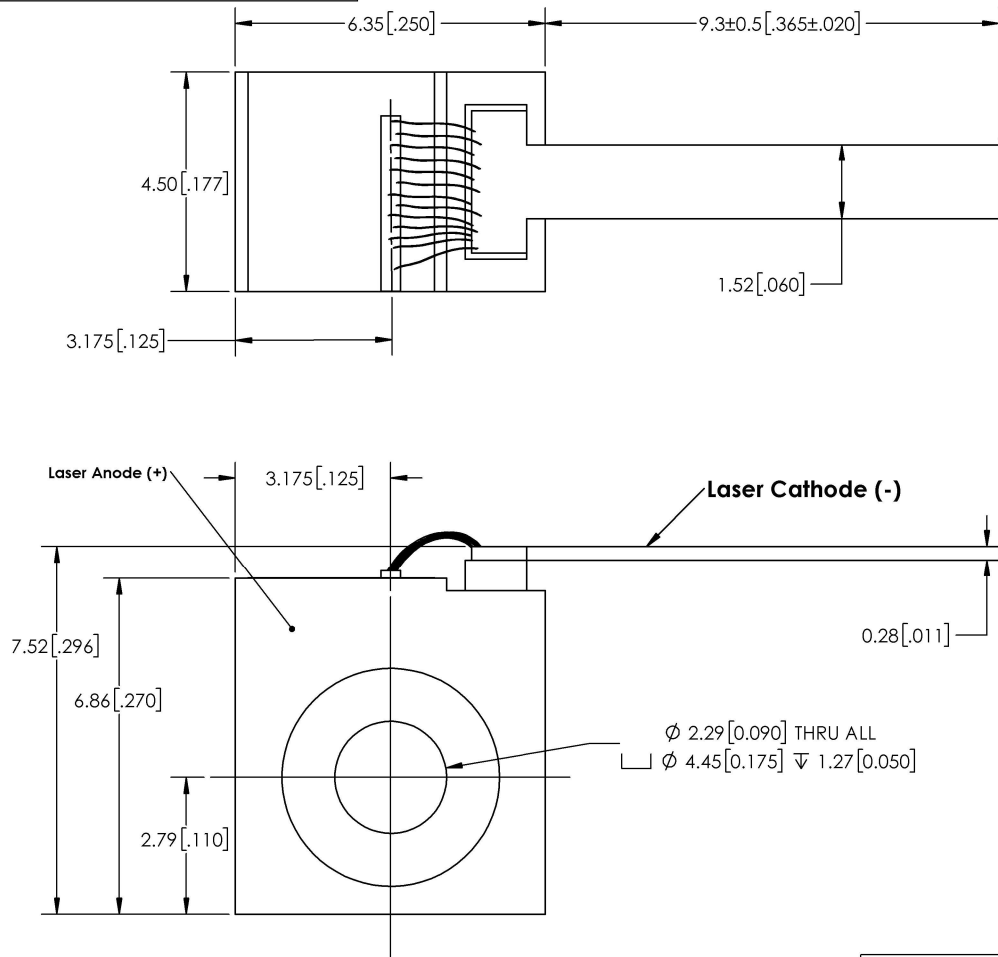


FOR REFERENCE ONLY

REVISIONS				
REV.	DESCRIPTION	CO	DATE	APPROVED
A	INITIAL RELEASE	-	-	AC
B	UPDATED TO NEW DRAWING STANDARD	5332	2021/05/10	JDS



ϕ 2.29 [0.090] THRU ALL
 \square ϕ 4.45 [0.175] ∇ 1.27 [0.050]

- Notes:**
- Mechanical reference only.
 - Mounting and/or thermal sinking solution must be sufficient to maintain device within operational specifications. Use of a thermal pad between package and heat sink is advised.
 - Device is ESD sensitive. Handling precautions are required to ensure device meets specifications. Please visit our website for safe handling information.

EXPORT CONTROLLED INFORMATION		DIMENSIONS mm [in]		NAME	DATE	SHEAUMANN
WARNING - THIS DOCUMENT CONTAINS TECHNICAL DATA WHOSE EXPORT IS RESTRICTED BY THE ARMS EXPORT CONTROL ACT (TITLE 22, U.S.C. SEC 2751, ET SEQ.) OR THE EXPORT ADMINISTRATION ACT OF 1979, AS AMENDED (TITLE 50, U.S.C. APP. 2401 ET SEQ.). VIOLATIONS OF THESE EXPORT LAWS ARE SUBJECT TO SEVERE CRIMINAL PENALTIES.		UNLESS OTHERWISE SPECIFIED TOLERANCES ARE:		DRAWN	NJC	
PROPRIETARY AND CONFIDENTIAL		INTERPRET GEOMETRIC TOLERANCING PER: ASME Y14.5M-2018		CHECKED	AH	2021/05/04
THE INFORMATION CONTAINED IN THIS DRAWING IS THE SOLE PROPERTY OF SHEAUMANN LASER, INC. ANY REPRODUCTION IN PART OR AS A WHOLE WITHOUT THE WRITTEN PERMISSION OF SHEAUMANN LASER, INC. IS PROHIBITED.		MATERIAL		ENG APPR.	JDS	2021/05/04
DRAWING CLASSIFICATION		FINISH (UNLESS OTHERWISE SPECIFIED)		DH APPR.	AC	2021/05/10
UNCLASSIFIED		VARIOUS		Q.C.	KES	2021/05/10
DO NOT SCALE DRAWING		VARIOUS		THIRD ANGLE PROJECTION		TITLE:
						Laser on Basemount, CL, Standard
SIZE	CAGE CODE	DWG. NO.	REV			
B	5KD88	LOB260021	B			
SCALE: 10:1			SHEET 1 OF 2			