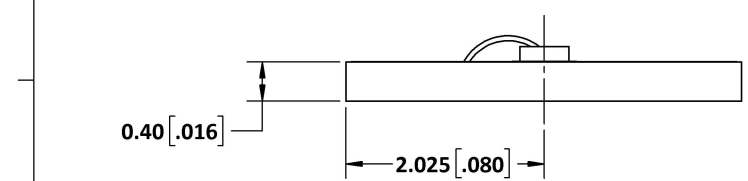
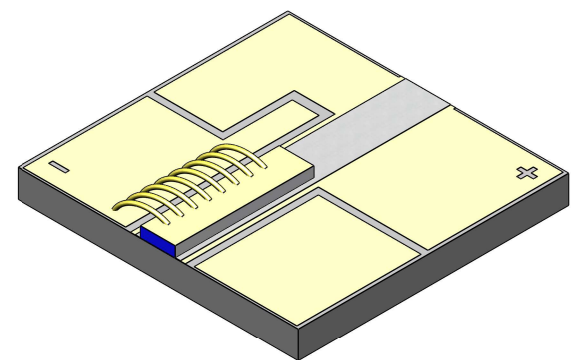
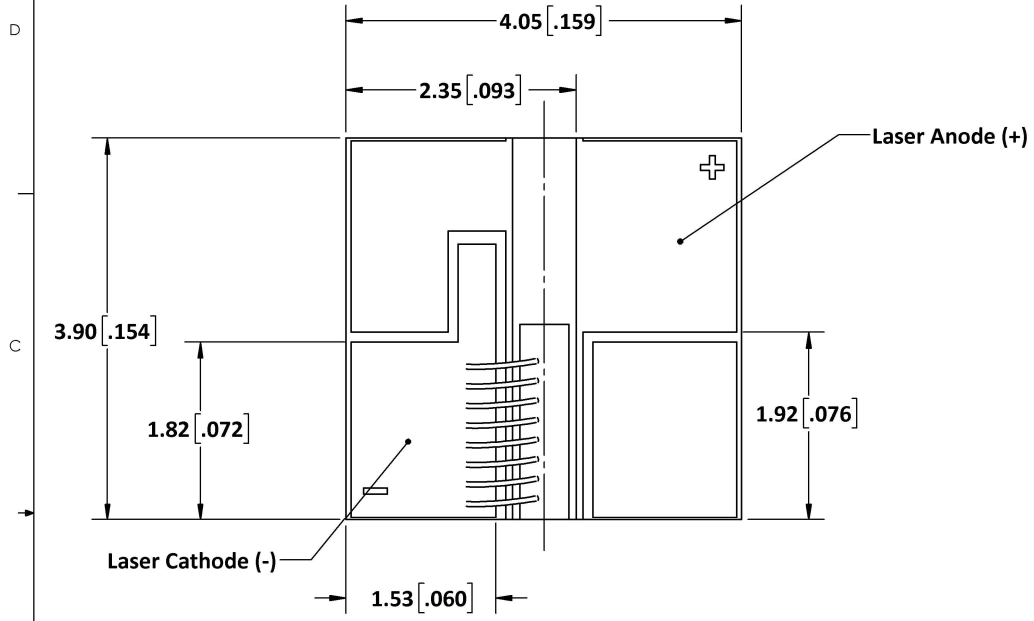


FOR REFERENCE ONLY

REVISIONS				
REV	DESCRIPTION	CO	DATE	APPROVED
A	INITIAL RELEASE	-	-	AC
B	UPDATED TO NEW DRAWING STANDARD	5332	2021/05/10	JDS



Notes:

1. Mechanical reference only.
2. Mounting and/or thermal sinking solution must be sufficient to maintain device within operational specifications. Use of a thermal pad between package and heat sink is advised.
3. Device is ESD sensitive. Handling precautions are required to ensure device meets specifications. Please visit our website for safe handling information.

EXPORT CONTROLLED INFORMATION		DIMENSIONS mm [in]		NAME		SHEAUMANN	
WARNING - THIS DOCUMENT CONTAINS TECHNICAL DATA WHOSE EXPORT IS RESTRICTED BY THE ARMS EXPORT CONTROL ACT (TITLE 22, U.S.C., SEC 2751, ET SEQ.) OR THE EXPORT ADMINISTRATION ACT OF 1979, AS AMENDED (TITLE 50, U.S.C., APP. 2401 ET SEQ.). VIOLATIONS OF THESE EXPORT LAWS ARE SUBJECT TO SEVERE CRIMINAL PENALTIES.		UNLESS OTHERWISE SPECIFIED TOLERANCES ARE:		DRAWN	NJC	DATE	2021/04/28
PROPRIETARY AND CONFIDENTIAL		INTERPRET GEOMETRIC TOLERANCING PER: ASME Y14.5M-2018		CHECKED	AH	2021/05/04	TITLE:
THE INFORMATION CONTAINED IN THIS DRAWING IS THE SOLE PROPERTY OF SHEAUMANN LASER, INC. ANY REPRODUCTION IN PART OR AS A WHOLE WITHOUT THE WRITTEN PERMISSION OF SHEAUMANN LASER, INC. IS PROHIBITED.		MATERIAL		ENG APPR.	JDS	2021/05/04	Laser on Basemount, C4
DRAWING CLASSIFICATION		FINISH (UNLESS OTHERWISE SPECIFIED)		DH APPR.	AC	2021/05/10	REV
UNCLASSIFIED		VARIOUS		Q.C.	KES	2021/05/10	B
DO NOT SCALE DRAWING		THIRD ANGLE PROJECTION		SCALE: 20:1		SHEET 1 OF 2	
		VARIOUS		CAGE CODE		DWG. NO.	
				5KD88		LOB260015	