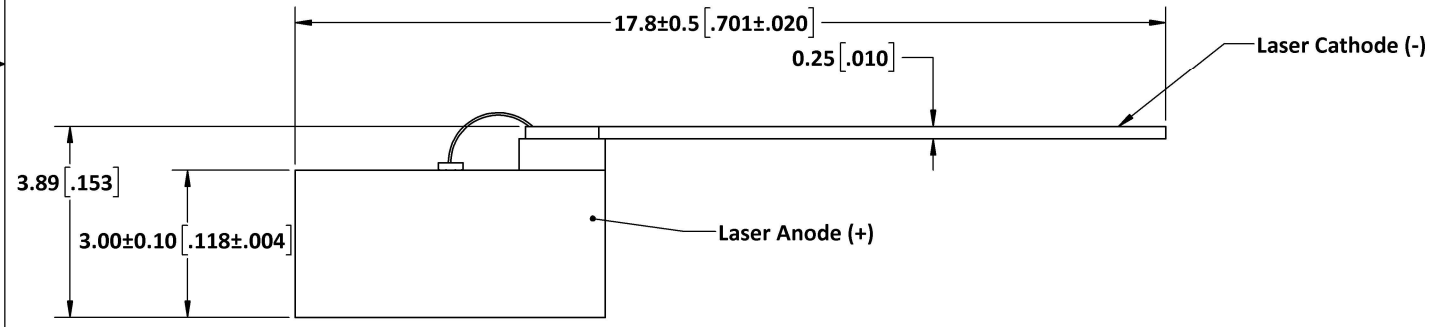
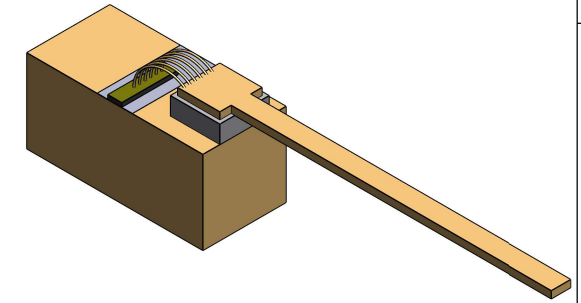
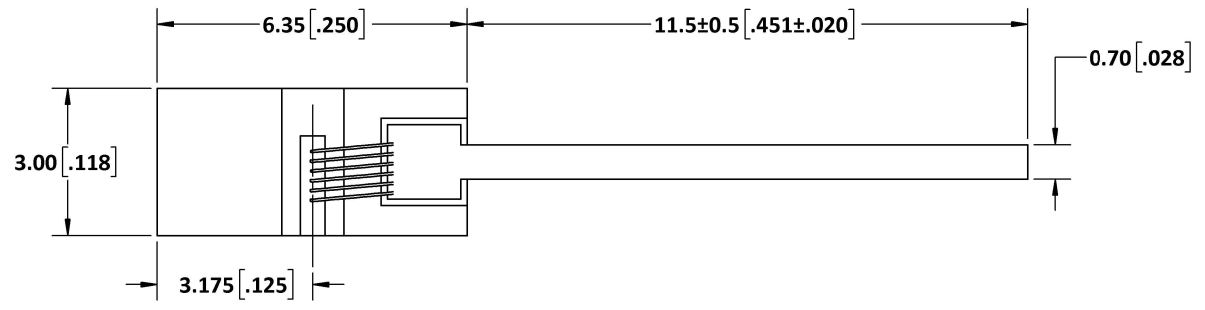


FOR REFERENCE ONLY

REVISIONS				
REV.	DESCRIPTION	CO	DATE	APPROVED
A	INITIAL RELEASE	-	-	AC
B	UPDATED TO NEW DRAWING STANDARD	5332	2021/05/10	JDS



- NOTES:**
- Mechanical reference only.
  - Mounting and/or thermal sinking solution must be sufficient to maintain device within operational specifications. Use of a thermal pad between package and heat sink is advised.
  - Device is ESD sensitive. Handling precautions are required to ensure device meets specifications. Please visit our website for safe handling information.

<b>EXPORT CONTROLLED INFORMATION</b>	<b>DIMENSIONS mm [in]</b>	NAME	DATE
WARNING - THIS DOCUMENT CONTAINS TECHNICAL DATA WHOSE EXPORT IS RESTRICTED BY THE ARMS EXPORT CONTROL ACT (TITLE 22, U.S.C., SEC 2751, ET SEQ.) OR THE EXPORT ADMINISTRATION ACT OF 1979, AS AMENDED (TITLE 50, U.S.C., APP. 2401 ET SEQ.). VIOLATIONS OF THESE EXPORT LAWS ARE SUBJECT TO SEVERE CRIMINAL PENALTIES.	<b>UNLESS OTHERWISE SPECIFIED TOLERANCES ARE:</b>	DRAWN	NJC 2020/10/28
	ANGULAR: ± 30 MINUTES	CHECKED	AH 2021/05/04
	X ± .25 [.010]	ENG APPR.	JDS 2021/05/04
	X.X ± .13 [.005]	DH APPR.	AC 2021/05/10
	X.XX ± .05 [.002]	Q.C.	KES 2021/05/10
	X.XXX ± .025 [.001]		
<b>PROPRIETARY AND CONFIDENTIAL</b>	INTERPRET GEOMETRIC TOLERANCING PER: ASME Y14.5M-2018	THIRD ANGLE PROJECTION	
THE INFORMATION CONTAINED IN THIS DRAWING IS THE SOLE PROPERTY OF SHEAUMANN LASER, INC. ANY REPRODUCTION IN PART OR AS A WHOLE WITHOUT THE WRITTEN PERMISSION OF SHEAUMANN LASER, INC. IS PROHIBITED.	MATERIAL VARIOUS		
	FINISH (UNLESS OTHERWISE SPECIFIED) VARIOUS		
<b>DRAWING CLASSIFICATION</b>			
UNCLASSIFIED	DO NOT SCALE DRAWING		

**SHEAUMANN**

TITLE: **Laser on Basemount, B Mount**

SIZE	CAGE CODE	DWG. NO.	REV
<b>B</b>	<b>5KD88</b>	<b>LOB260041</b>	<b>B</b>

SCALE: 10:1 SHEET 1 OF 2