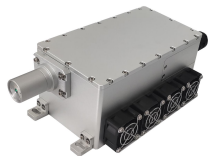


AO-V-355 3W/5W



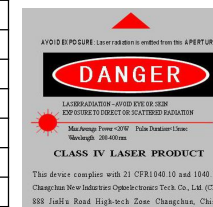
**LD PUMPED ALL-SOLID-STATE
AOM Q-SWITCHED LASER at 355NM**

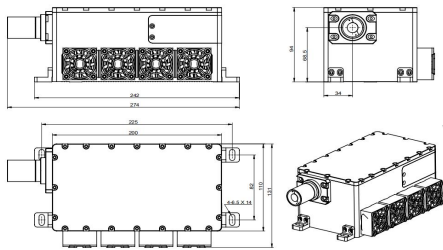
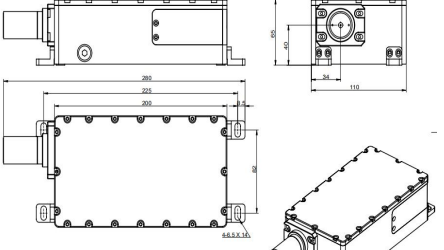
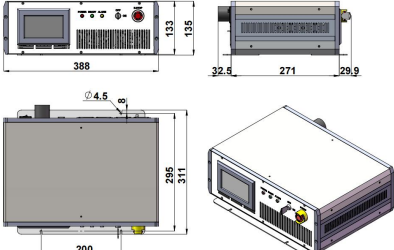

All solid state AOM Q-switched laser at 355 nm has the features of high peak power, high repetition rate, and short pulse duration, which is used in scientific research, biology, instrumentation, 3D marking, laser marking, sub-surface engraving and so on.



SPECIFICATIONS

Wavelength (nm)	355±1		
Operating mode	Acousto-Optic Q-switched		
Average power (W)	3W@5kHz	3W@30kHz	5W@30kHz
	Average power (W) = Single pulse energy (mJ) * Rep. rate (kHz)		
Single pulse energy (μJ)	>1000@1kHz	>100@30kHz	>160@30kHz
Rep. rate (kHz)	1-10	10-200	10-200
Pulse width (ns)	~12 @1kHz	~12 @30kHz	~15 @30kHz
Transverse mode	TEM ₀₀		
Beam Circularity (%)	>90		
Beam quality (M ²)	<1.2		
Beam divergence, full angle (mrad)	<3.5		
Beam diameter at the aperture (1/e ² , mm)	~0.8		
Polarization ratio	>100:1, Horizontal		
Beam height from base plate (mm)	68.5@Air cooled	40@Water Cooled	
Warm-up time (minutes)	<10		
Cooled method	Air cooled	Water Cooled	
Operating temperature (°C)	10~35		
Power supply (220/110VAC)	PSU-AOM		



AO-V-355	AO-V-355-Water	PSU-AOM	Water Chiller (WCH-580)
 <p>274 (L) × 131 (W) × 94 (H) mm³, 3.65 kg</p>	 <p>280 (L) × 110 (W) × 65 (H) mm³, 3.0 kg</p>	 <p>388 (L) × 311 (W) × 135(H) mm³, 9.6 kg</p>	 <p>369.8 (L) × 258.4(W) × 240.6 (H) mm³, 10.5 kg</p>