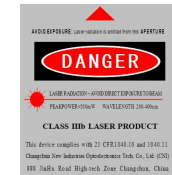




AO-S series

LD PUMPED ALL-SOLID-STATE ACOUSTO-OPTIC Q-SWITCHED LASER

All solid state acousto-optic Q-switched laser has the features of high peak power, high repetition rate, and short pulse duration, which is widely used in material processing, measure, scientific research and so on.



SPECIFICATIONS

Wavelength (nm)	266±1	349±1	351±1	355±1	523.5±1
Operating mode	Acousto-Optics Q-switched				
Max average power (mW)*	1~10	1~15	1~30	1~100	1~100
Single pulse energy (μJ)	1~5 (5μJ @1kHz; 1μJ @5kHz)	1~8 (8μJ @1kHz; 1μJ @5kHz)	1~15 (15μJ @1kHz; 3μJ @5kHz)	1~40 (40μJ @1kHz; 10μJ @5kHz)	1~50 (50μJ @1kHz; 20μJ @5kHz)
Pulse duration(varies from power and repetition.)	Typically ~4ns	Typically 6~10ns@<10kHz		Typically 5~10ns @<10kHz	
Peak power(kW)	0.25~1.25	0.16~1.3	0.16~2.5	0.2~8	0.2~10
Rep. rate (kHz)	0.001~5	0.001~10	0.001~15	0.001~20	0.001~50
Power Stability (rms,over 4 hours)	<10%,<5%,<3%				
Transverse mode	Near TEM ₀₀				
M ² factor	<2				
Beam Diameter at the aperture 1/e ² (mm)	Elliptical(4:1), Beam spot ~1.5×0.4mm		~1.0		
Beam divergence, full angle (mrad)	<2				
Polarization ratio	>100:1				
Warm-up Time (minutes)	<10				
Beam height from base plate (mm)	30				25
Operating temperature(°C)	10~35				
Power supply (90-264VAC)	PSU-AOM-DL				
Expected lifetime (hours)	5000				10000
Warranty	1 year				

Average power (mW)= Single pulse energy (μJ) Rep. rate(kHz)

Note: The laser head needs to be used on a heat sink with good heat dissipation.



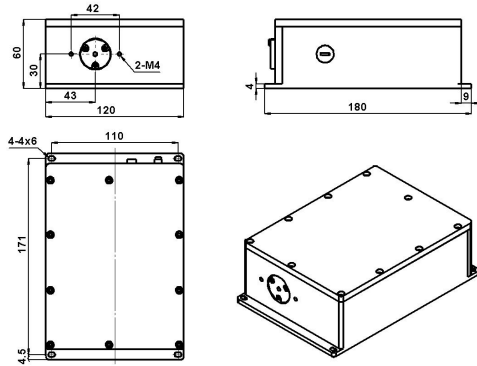
SPECIFICATIONS

Wavelength (nm)	526.5±1	532±1	946±1	1047±1	1053±1	1064±1	1342±1
Operating mode	Acousto-Optics Q-switched						
Max average power (mW)*	1~50	1~250	1~150	1~1300	1~1000	1~2500	1~1900
Single pulse energy (μJ)	1~20 (20μJ @1kHz; 10μJ @5kHz)	1~100 (100μJ @1kHz; 50μJ @5kHz)	1~40 (40uJ@1kHz; 15uJ@10 kHz)	1~250 (250μJ @1kHz; 100μJ @10kHz)		1~350 (350μJ @1kHz; 180μJ @10kHz)	1~150 (150uJ@1kHz; 100uJ @10kHz)
Pulse duration(varies from power and repetition)	Typically 5~10ns@<10kHz		~22ns@1kHz;~50ns@10kHz	Typically 5~11ns @<10kHz			~27ns@1kHz;~35ns @10kHz
Peak power(kW)	0.2~4	0.2~20	0.02~1.81	0.14~36		0.14~50	0.005~5.5
Rep. rate (kHz)	0.001~50		0.001~10	0.001~80		0.001~100	0.001~100
Power Stability (rms,over 4 hours)	<5%, <3%, <2%						
Transverse mode	TEM ₀₀						
M ² factor	<1.5						
Beam Diameter at the aperture 1/e ² (mm)	~1.2						
Beam divergence, full angle (mrad)	<1.5						
Polarization ratio	>100:1						
Warm-up Time (minutes)	<10						
Beam height from base plate (mm)	25						
Operating temperature(°C)	10~35						
Power supply (90-264VAC)	PSU-AOM-DL						
Expected lifetime (hours)	10000						
Warranty	1 year						

Average power (mW)= Single pulse energy (μJ) Rep. rate(kHz)

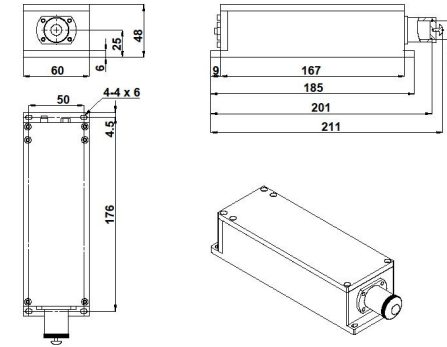
Note: The laser head needs to be used on a heat sink with good heat dissipation.

LASER HEAD (AO-S-266)



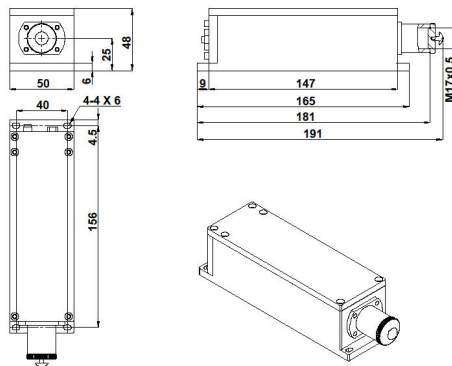
180(L) × 120(W) × 60 (H) mm³, 2.14kg

LASER HEAD (AO-S-349/ 351/ 355/ 523.5/ 526.5/ 532/ 1342)



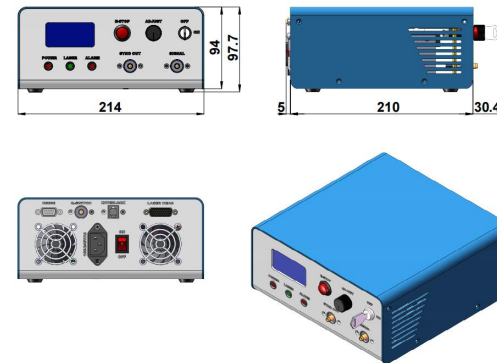
211(L) × 60(W) × 48 (H) mm³, 1.05kg

LASER HEAD (AO-S-946/ 1047/ 1053/ 1064)



191(L) × 50(W) × 48 (H) mm³, 0.78kg

POWER SUPPLY



245.4 (L) × 214(W) × 97.7(H) mm³, 3.2 kg