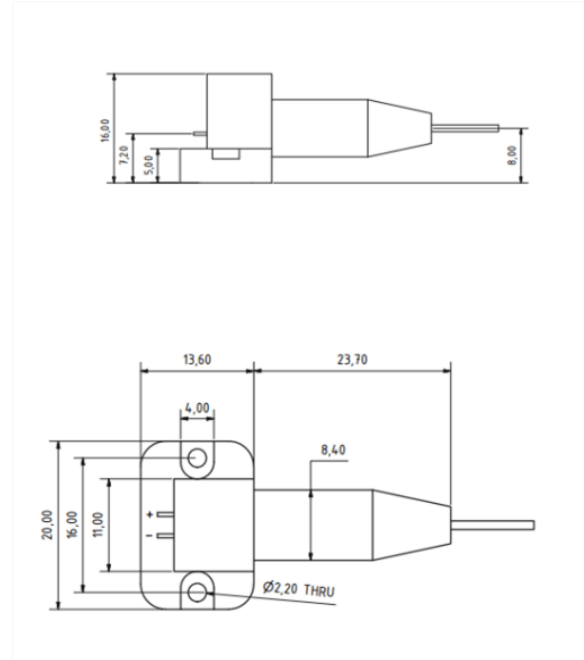


## 4.5 -5.0 W 445nm Fiber-Coupled Laser Diode



Parameter	Condition	Symbol	Absolute Maximum Value	Unit
Forward Current	$T_c = 25^\circ \text{ C}$	$I_f$	4.5	A
Reverse Current	$T_c = 25^\circ \text{ C}$	$I_r$	85	mA
Storage Temperature	Ambient	$T_{amb}$	-40 to +85	$^\circ \text{ C}$
Operating Temperature	Case	$T_c$	0 to +50	$^\circ \text{ C}$

Parameter	Condition	Symbol	Min	Typ	Max	Unit
Output Power	$I_f = 4.0 \text{ A}$	$P_O$	4.5	-	5	W
Central Wavelength	$I_f = 4.0 \text{ A}$	$\lambda_d$	440	-	450	nm
Threshold Current	CW	$I_{th}$	300	-	450	mA
Slope Efficiency	CW	-	-	1.1	-	W/A
Operating Voltage	$I_f = 4.0 \text{ A}$	$V_{op}$	4.0	-	5.0	V
Fiber Core Diameter				105		$\mu\text{m}$
Cladding Diameter				0.85		mm
Numerical Aperture				0.22		-
Fiber Length				1		m
Fiber Connector				SMA905		

### Laser Safety Warning

This is a Class 4 OEM laser product, intended to be incorporated into a device. It may not meet safety requirements given by the law.

Safety precautions are to be taken prior to use this laser.

Avoid eye or skin exposure. Laser radiation must be prevented from leaving the laser working area. Use appropriate shield to block the laser light.