




976nm~980nm 5mW Receptacle Laser Diode (LD) Module

980nm SM Receptacle Package LD with 9um SMF

WSLR-980-005m-9-PD

Wavespectrum laser inc.

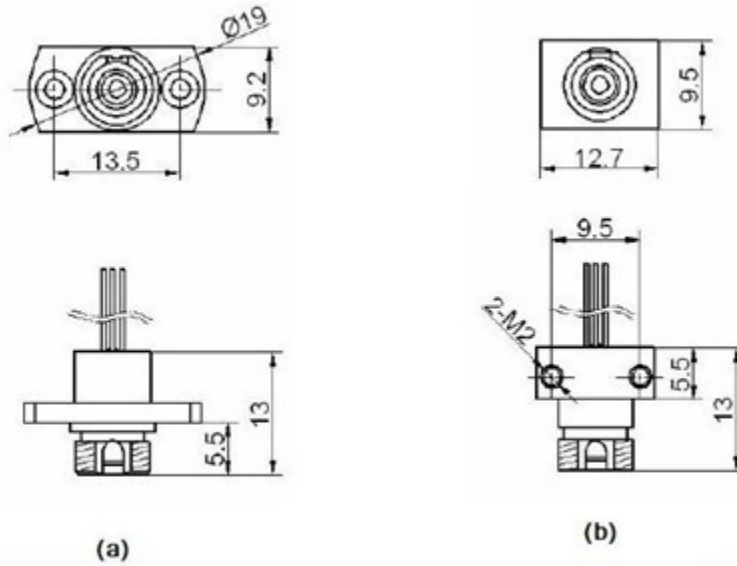
www.wavespectrum-laser.com

980nm Receptacle Diode Laser		5mW		Wavespectrum Laser, Inc	
PARAMETER	SYMBOL	VALUE	UNIT		
Reverse Voltage	V_r	2.0	V		
Operating Temperature	T_{op}	-10 ~ +40	°C		
Storage Temperature	T_{stg}	-40 ~ +85	°C		
Lead soldering temperature (10 sec.)	T_{is}	260	°C		
Features: <ul style="list-style-type: none"> 980nm 9um Fiber Receptacle Package Built-in PD 					
Applications: <ul style="list-style-type: none"> Medical laser treatment Communication Others 					
Specifications		WSLR-980-005m-9-PD			
	Min	Type	Max		
Center Wavelength@25°C	970nm	980nm	990nm		
Spectral Width (FWHM)	----	2.0nm	3.0nm		
Optical Fiber Output Power (After Fiber)	----	5mW	----		
Fiber Specification	9 um Fiber				
Slope Efficiency	0.8mW/mA	0.9mW/mA	----		
Monitor Current	----	0.1mA	----		
PD Reverse Voltage	----	30V	----		
Ferrule Type	FC				
Other Customized Ferrule Type	ST , SC				
Threshold Current (Typ.)	----	35mA	45mA		
Operating Current (Typ.)	----	70mA	90mA		
Operating Voltage	----	2.0V	2.5V		
Package Style	Receptacle				

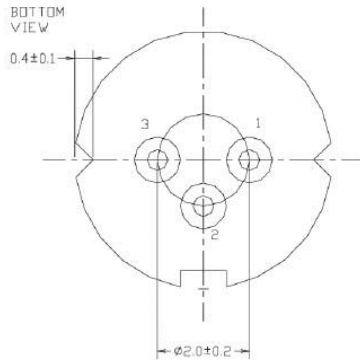
Wavespectrum Laser, Inc.
www.wavespectrum-laser.com
wavespectrumlaser@gmail.com



FC Connector Receptacle Package View



PIN Bottom View:



1	LD(-)
2	LD(+)&PD(-)
3	PD(+)

Electrically shorten LD module and store in non-extreme conditions.

Suggest using the constant current power supply.

