

880nm 1mw~2mw SM Coaxial Pigtailed Laser Diode with SMF28 9um Fiber

870nm~880nm SM Fiber Coupled LD with Single Mode Fiber

WSLP-880-002m-9-PD

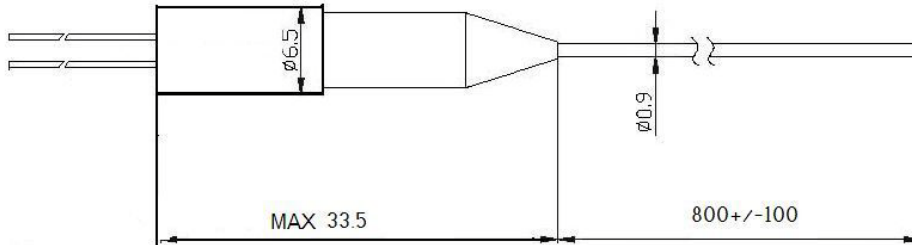
Wavespectrum Laser Group

www.wavespectrum-laser.com

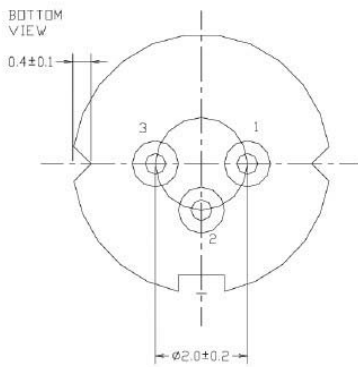
880nm Pigtailed Diode Laser		1mW/SM Fiber		Wavespectrum Laser Group	
PARAMETER	SYMBOL	VALUE	UNIT		
Reverse Voltage	V_r	2.0	V		
Operating Temperature	T_{op}	-10~+60	°C		
Storage Temperature	T_{stg}	-20 ~ +85	°C		
Lead soldering temperature (5 sec.)	T_{is}	250	°C		
Features: <ul style="list-style-type: none"> • 880nm • 9um Fiber • Coaxial package • Built-in PD 					
Applications: <ul style="list-style-type: none"> • Medical laser treatment • Sensor • Others 					
Specifications	WSLP-880-002m-9-PD				
	Min	Type	Max		
Center Wavelength@25°C	870nm	880nm	890nm		
Recommend Operating Temperature	25°C				
Output Power	1.5mw	2mw	----		
Fiber Type	SMF28				
Fiber Core	9um				
Monitor Current	----	0.25mA	0.55mA		
PD Reverse Voltage	----	30V	----		
Fiber Connector	FC				
Fiber Length	----	80cm	100cm		
Threshold Current (Typ.)	----	10mA	18mA		
Operating Current (Typ.)	----	30mA	35mA		
Operating Voltage	----	2.2V	2.4V		
Package Style	Coaxial				
Photodiodes	Built-in				



Coaxial Package View



PIN Bottom View:



1	LD(-)
2	LD(+)&PD(-)
3	PD(+)

Electrically shorten LD module and store in non-extreme conditions.
Suggest using the constant current power supply.

