


## 905nm 5mW Receptacle Laser Diode (LD) Module

### 905nm MM Fiber Receptacle LD

WSLR-905-005m-M-PD

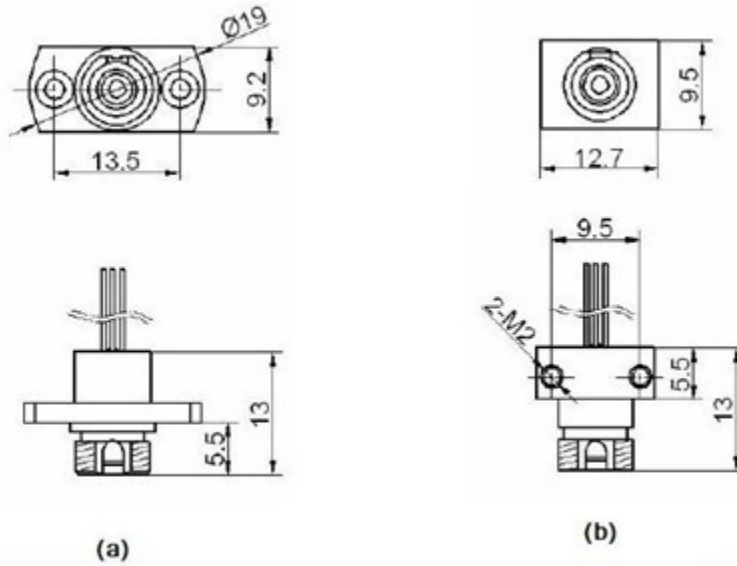
Wavespectrum laser inc.

www.wavespectrum-laser.com

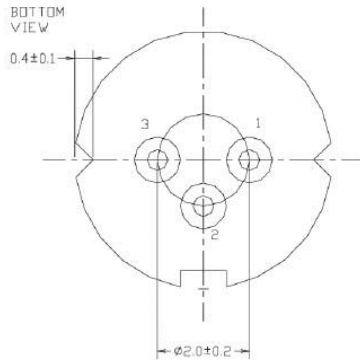
905nm Receptacle Diode Laser		5mW		Wavespectrum Laser, Inc	
PARAMETER	SYMBOL	VALUE	UNIT		
Reverse Voltage	$V_r$	2.0	V		
Operating Temperature	$T_{op}$	-10 ~ +70	°C		
Storage Temperature	$T_{stg}$	-40 ~ +85	°C		
Lead soldering temperature (10 sec.)	$T_{is}$	250	°C		
<b>Features:</b> <ul style="list-style-type: none"> <li>• 905nm</li> <li>• MM Fiber</li> <li>• Receptacle Package</li> <li>• Built-in PD</li> </ul>					
<b>Applications:</b> <ul style="list-style-type: none"> <li>• Medical laser treatment</li> <li>• Communication</li> <li>• Others</li> </ul>					
<b>Specifications</b>	<b>WSLR-905-005m-M-PD</b>				
	Min	Type	Max		
Center Wavelength@25°C	885nm	905nm	915nm		
Recommended Operating Temperature	25°C				
Optical Fiber Output Power (After Fiber)	----	5mW	----		
Fiber Specification	62.5um or 105um Fiber Core				
	0.22N.A.				
Slope Efficiency	0.3mW/mA	0.5mW/mA	0.7mW/mA		
Monitor Current	----	0.4mA	0.6mA		
PD Reverse Voltage	----	30V	----		
Ferrule Type	FC				
Other Customized Ferrule Type	ST, SC				
Threshold Current (Typ.)	----	12mA	25mA		
Operating Current (Typ.)	----	35mA	60mA		
Operating Voltage	----	1.8V	2.3V		
Package Style	Receptacle				



### FC Connector Receptacle Package View



### PIN Bottom View:



1	LD(-)
2	LD(+)&PD(-)
3	PD(+)

Electrically shorten LD module and store in non-extreme conditions.  
Suggest using the constant current power supply.

