

405nm 100mW Fiber Receptacle LD For CTP
405nm Detachable Package Laser Diode Module

WSLR-405-100m-M

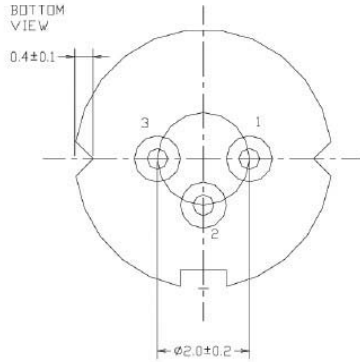
Wavespectrum laser inc.

www.wavespectrum-laser.com

405nm Diode Laser		Wavespectrum Laser, Inc	
PARAMETER	SYMBOL	VALUE	UNIT
Reverse Voltage	V_r	2.0	V
Operating Temperature	T_{op}	-10~+60	°C
Storage Temperature	T_{stg}	-40 ~ +85	°C
Lead soldering temperature (10 sec.)	T_{is}	260	°C
Features: <ul style="list-style-type: none"> • 405nm • UV Fiber • Receptacle package • CW or Pulsed Mode 			
Applications: <ul style="list-style-type: none"> • Medical laser treatment • CTP • others 			
Specifications	WSLR-405-100m-M		
	Min	Type	Max
Center Wavelength@25°C	400nm	405nm	410nm
Output Power (CW Mode)	100mW	120mW	----
Fiber Type	UV Fiber		
	0.12N.A		
	50um (25um 30um 40Um 60um Optional)		
Recommended Work Temperature	25°C		
Fiber Connector	FC/SC		
Threshold Current (Typ.)	----	40mA	50mA
Operating Current (Typ.) For CW Mode	----	140mA	160 mA
Operating Voltage	----	5.0V	5.5V
Package	Receptacle		



PIN Bottom View:



1	LD(+)
2	GND
3	LD(-)

Electrically shorten LD module and store in non-extreme conditions.
Suggest using the constant current power supply.



Please contact us:

Website: www.wavespectrum-laser.com(for more detailed information)

Email: info@wavespectrum-laser.com (for inquiry about this product)

