

685nm 25mW Receptacle LD Module

680nm~685nm MM Receptacle Laser Diode Module

WSLR-685-025m-M-PD

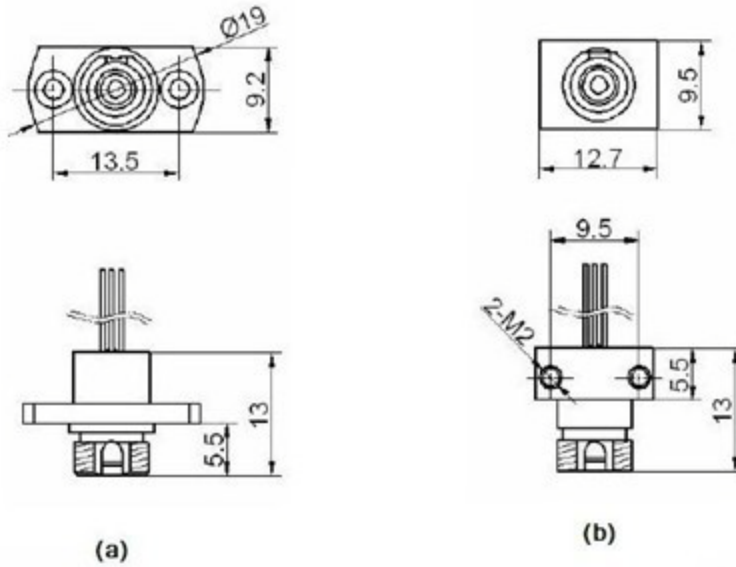
Wavespectrum Laser, Inc.

www.wavespectrum-laser.com

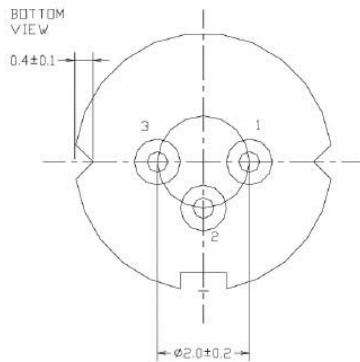
685nm Receptacle Diode Laser		25mW		Wavespectrum Laser, Inc	
PARAMETER	SYMBOL	VALUE	UNIT		
Reverse Voltage	V_r	2.0	V		
Operating Temperature	T_{op}	-10~+60	°C		
Storage Temperature	T_{stg}	-40 ~ +85	°C		
Lead soldering temperature (10 sec.)	T_{is}	260	°C		
Features: <ul style="list-style-type: none"> • 685nm • MM Fiber • Receptacle package • Built-in PD 					
Applications: <ul style="list-style-type: none"> • Medical laser treatment • Other 					
Specifications	WSLR-685-025m-M-PD				
	Min	Type	Max		
Center Wavelength@25°C	670nm	685nm	700nm		
Spectral Width (FWHM)	----	----	----		
Optical Fiber Output Power (After Fiber)	----	25mW	----		
Fiber Specification	62.5um , 105um (or more)				
	0.22 (or more)				
Slope Efficiency	0.4mW/mA	0.5mW/mA	----		
Monitor Current	0.05mA	0.3mA	2.5mA		
PD Reverse Voltage	----	30V	----		
Ferrule Type	FC				
Other Customized Ferrule Type	SC , ST				
Threshold Current (Typ.)	----	35mA	60mA		
Operating Current (Typ.)	----	100mA	140mA		
Operating Voltage	2.0V	2.7V	3.0V		
Package Style	Receptacle				
Recommended Operating Temperature	25°C				



FC Connector Receptacle Package View



PIN Bottom View:



1	PD(+)
2	LD(+)&PD(-)
3	LD(-)

Electrically shorten LD module and store in non-extreme conditions.

Suggest using the constant current power supply.

