



**685nm 15mW Receptacle Laser Diodes (LD) Module**

**680nm~685nm MM Receptacle LD**

WSLR-685-015m-M-PD

Wavespectrum Laser, Inc.

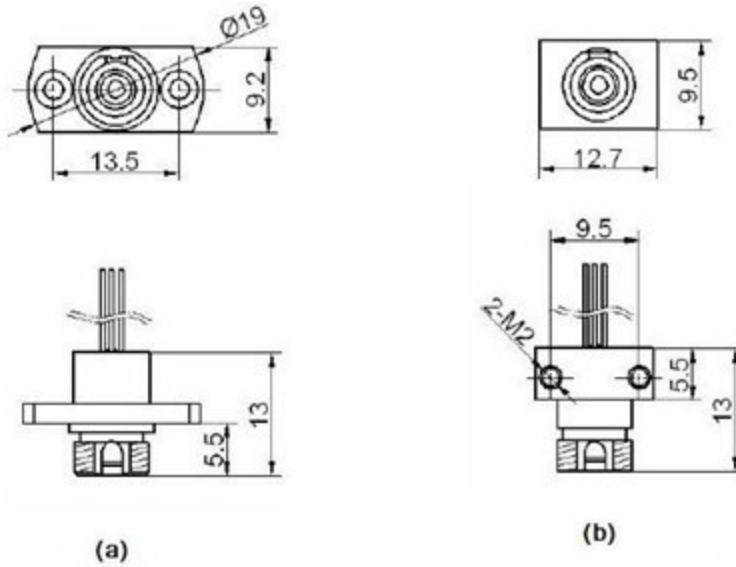
www.wavespectrum-laser.com

685nm Receptacle Diode Laser		15mW		Wavespectrum Laser, Inc	
PARAMETER	SYMBOL	VALUE	UNIT		
Reverse Voltage	$V_r$	2.0	V		
Operating Temperature	$T_{op}$	-10~+60	°C		
Storage Temperature	$T_{stg}$	-40 ~ +85	°C		
Lead soldering temperature (10 sec.)	$T_{is}$	260	°C		
<b>Features:</b> <ul style="list-style-type: none"> <li>• 685nm</li> <li>• MM Fiber</li> <li>• Receptacle package</li> <li>• Built-in PD</li> </ul>					
<b>Applications:</b> <ul style="list-style-type: none"> <li>• Medical laser treatment</li> <li>• Other</li> </ul>					
<b>Specifications</b>	<b>WSLR-685-015m-M-PD</b>				
	Min	Type	Max		
Center Wavelength@25°C	670nm	685nm	700nm		
Spectral Width (FWHM)	----	----	----		
Optical Fiber Output Power (After Fiber)	----	15mW	----		
Fiber Specification	62.5um , 105um ( or more)				
	0.22 (or more)				
Slope Efficiency	0.4mW/mA	0.5mW/mA	----		
Monitor Current	0.05mA	0.3mA	2.5mA		
PD Reverse Voltage	----	30V	----		
Ferrule Type	FC				
Other Customized Ferrule Type	SC , ST				
Threshold Current (Typ.)	----	35mA	60mA		
Operating Current (Typ.)	----	100mA	140mA		
Operating Voltage	2.0V	2.7V	3.0V		
Package Style	Receptacle				
Recommended Operating Temperature	25°C				

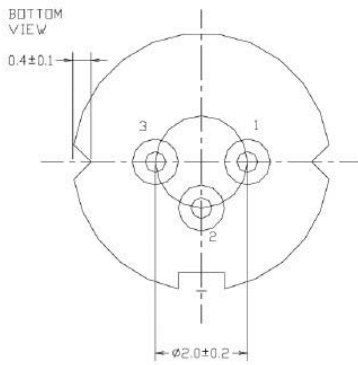
Wavespectrum Laser, Inc.  
www.wavespectrum-laser.com  
wavespectrumlaser@gmail.com



**FC Connector Receptacle Package View**



**PIN Bottom View:**



<b>1</b>	<b>PD(+)</b>
<b>2</b>	<b>LD(+)&amp;PD(-)</b>
<b>3</b>	<b>LD(-)</b>

Electrically shorten LD module and store in non-extreme conditions.

Suggest using the constant current power supply.

