


800nm 20mw~30mw SM Pigtailed Laser Diode with SMF

800nm | 30mw Output Power| SM Fiber Coupled LD | Single Mode Fiber (SM Fiber)

WSLP-800-030m-4-PD

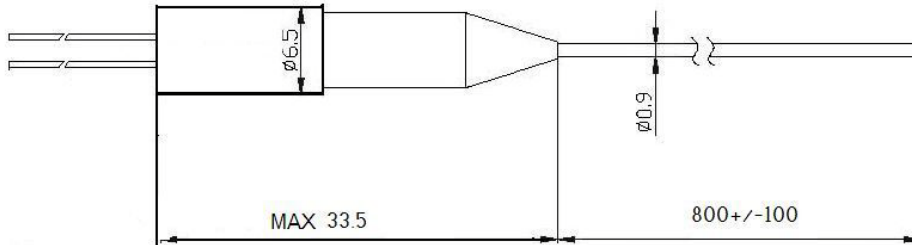
Wavespectrum Laser Group

www.wavespectrum-laser.com

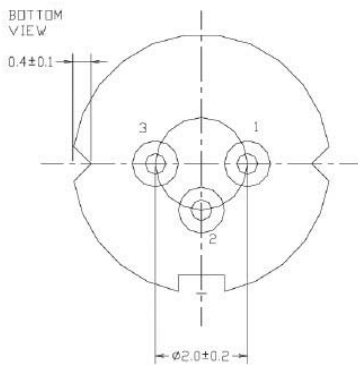
800nm Pigtailed Diode Laser		30mW/SM Fiber		Wavespectrum Laser Group	
PARAMETER	SYMBOL	VALUE	UNIT		
Reverse Voltage	V_r	2.0		V	
Operating Temperature	T_{op}	-10 ~ +60		°C	
Storage Temperature	T_{stg}	-40 ~ +80		°C	
Lead soldering temperature (10 sec.)	T_{is}	260		°C	
Features: <ul style="list-style-type: none"> 800nm SM Fiber Coaxial package Built-in PD 					
Applications: <ul style="list-style-type: none"> Medical laser treatment Sensor Others 					
Specifications		WSLP-800-030m-4-PD			
	Min	Type	Max		
Center Wavelength@25°C	+/-1nm	800nm	+/-3nm		
Recommend Operating Temperature	25°C				
Output Power	----	25mw	30mw		
Fiber Type	Single Mode Fiber				
Fiber Core	5um				
Monitor Current	----	0.2mA	0.5mA		
PD Reverse Voltage	----	30V	----		
Fiber Connector	FC				
Fiber Length	----	80cm	100cm		
Threshold Current (Typ.)	----	16mA	25mA		
Operating Current (Typ.)	----	80mA	100mA		
Operating Voltage	----	1.9V	2.3V		
Package Style	Coaxial				
Photodiode	Built-in				



Coaxial Package View



PIN Bottom View:



1	LD(-)
2	LD(+)&PD(-)
3	PD(+)

Electrically shorten LD module and store in non-extreme conditions.
Suggest using the constant current power supply.



Wavespectrum Laser, Inc.
www.wavespectrum-laser.com
wavespectrumlaser@gmail.com

