

**808nm~810nm 5W Fiber Coupled Laser Diode (LD) Module with 650nm Red Pilot Beam | Single Fiber Output  
 5W@808nm+1mW@650nm| Dual-Wavelength | 650nm Red Aiming Beam| PD |TEC Cooling|105um 200um Fiber  
 WSLX-808-005-H-A Wavespectrum Laser Group www.wavespectrum-laser.com**

| PARAMETER                            | SYMBOL    | VALUE     | UNIT |
|--------------------------------------|-----------|-----------|------|
| Reverse Voltage                      | $V_r$     | 2.0       | V    |
| Operating Temperature                | $T_{op}$  | +10~+30   | °C   |
| Storage Temperature                  | $T_{stg}$ | -20 ~ +80 | °C   |
| Lead soldering temperature (10 sec.) | $T_{is}$  | 260       | °C   |

**Features:**

- 808nm
- Single Fiber Output
- With 650nm Red Aiming Beam
- 4-pin/9-pin Package Optional
- Photodiodes Optional
- TEC Cooling Optional

**Applications:**

- Medical laser treatment
- Others



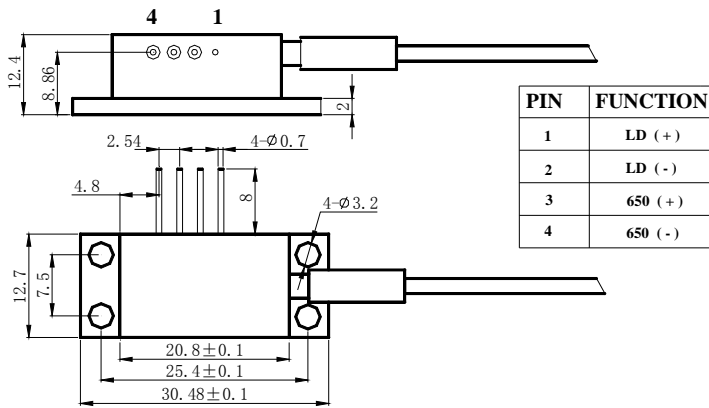
**Specifications**

**WSLX-808-005-H-A**

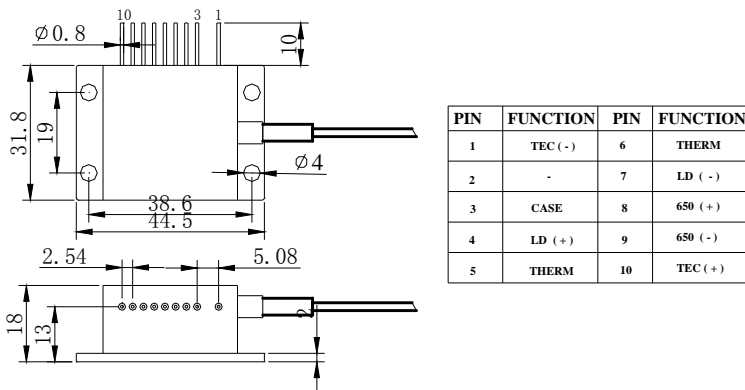
|                                       |                                 |       |       |
|---------------------------------------|---------------------------------|-------|-------|
| Center Wavelength@25°C                | ±3nm                            | 808nm | ±10nm |
| Spectral Width (FWHM)                 | 1nm                             | ----  | 3nm   |
| Output Power                          | ----                            | 5W    | ----  |
| Temperature Coefficient of Wavelength | 0.3nm / °C                      |       |       |
| Threshold Current (Typ.)              | 600mA                           |       |       |
| Operating Current (Typ.)              | 6.8A                            |       |       |
| Operating Voltage                     | 2.1V                            |       |       |
| Recommended Case Temperature          | 25°C                            |       |       |
| Red Aiming Beam                       | 1mw@650nm                       |       |       |
| TEC Cooler                            | Optional                        |       |       |
| Photodiodes                           | Optional                        |       |       |
| Fiber Core                            | 200um (105um or 400um Optional) |       |       |
| Fiber Length                          | 80cm                            |       |       |
| Fiber Connector                       | SMA905/ST/FC                    |       |       |
| Package Style                         | 4-pin, 9-pin, 14-pin            |       |       |



### 4-PIN Package View



### 9-PIN HHL Package View



If you need the **TEC Cooling** and **PD (Photodiodes)** for this device, you can choose the **14-PIN Butterfly** Package or **9-PIN HHL** Package as the Standard Package. Contact us with [info@wavespectrum-laser.com](mailto:info@wavespectrum-laser.com)

### Wavespectrum offer Customized 808nm Fiber Coupled Laser Diode Module:

- **Fiber Detachable** Package Laser Module (Red Aiming Beam Optional)
- **Single Fiber Output** Laser Module (Red Aiming Beam Optional)
- **Dual-Wavelength** or **Tri-Wavelength** Laser Module (such as 12w@808nm+300mw@635nm)



Wavespectrum Laser, Inc.  
[www.wavespectrum-laser.com](http://www.wavespectrum-laser.com)  
[wavespectrumlaser@gmail.com](mailto:wavespectrumlaser@gmail.com)

