
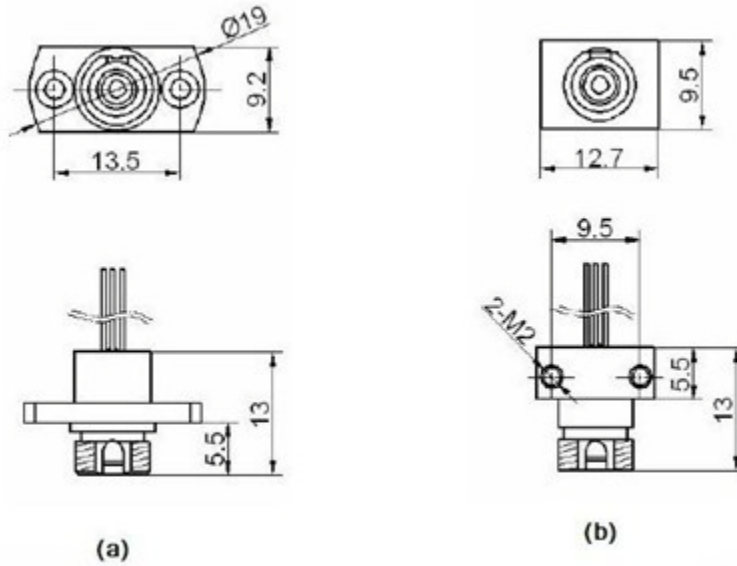


850nm 2mw SM Receptacle laser diode (LD) Module
840nm~850nm Fiber Receptacle Package LD with SMF
WSLR-850-002m-9-PD

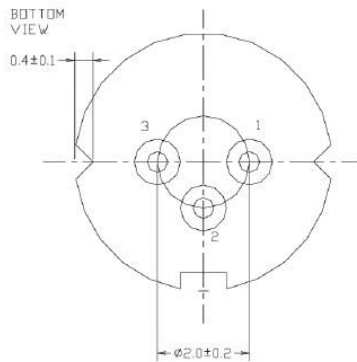
850nm Receptacle Diode Laser		2mW		Wavespectrum Laser, Inc	
PARAMETER	SYMBOL	VALUE	UNIT		
Reverse Voltage	V_r	2.0	V		
Operating Temperature	T_{op}	-10~+60	°C		
Storage Temperature	T_{stg}	-40 ~ +85	°C		
Lead soldering temperature (10 sec.)	T_{is}	260	°C		
Features: <ul style="list-style-type: none"> • 850nm • Receptacle Package • Built-in PD • 9um Fiber 					
Applications: <ul style="list-style-type: none"> • Medical laser treatment • Others 					
Specifications	WSLR-850-002m-9-PD				
	Min	Type	Max		
Center Wavelength@25°C	835nm	850nm	855nm		
Spectral Width (FWHM)	----	----	----		
Optical Fiber Output Power (After Fiber)	----	1.5mW	2mw		
Fiber Specification	9um Fiber				
Slope Efficiency	----	0.7mW/mA	----		
Monitor Current	----	0.3mA	----		
PD Reverse Voltage	----	30V	----		
Ferrule Type	FC				
Other Customized Ferrule Type	ST, SC				
Threshold Current (Typ.)	----	17mA	23mA		
Operating Current (Typ.)	----	28mA	38mA		
Operating Voltage	----	1.7V	2.1V		
Package Style	Receptacle				



FC Connector Receptacle Package View



PIN Bottom View:



1	PD(+)
2	LD(+)&PD(-)
3	LD(-)

Electrically shorten LD module and store in non-extreme conditions.

Suggest using the constant current power supply.

