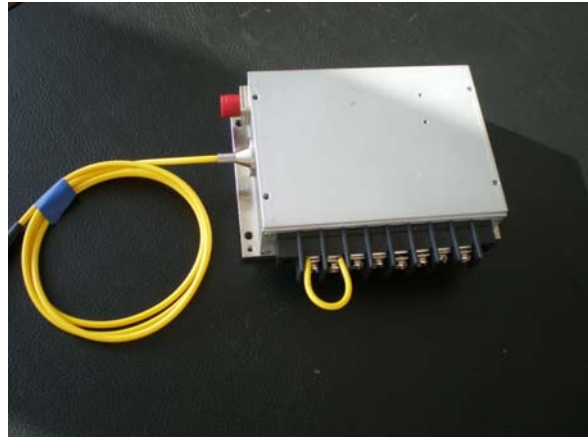


808nm 20W~21W Fiber Coupled Laser Diode (LD) Module with HHL Package | Red Aiming Beam optional
808nm~810nm|20W Power| HHL Package| 300um 400um Fiber Core| High Power LD|
WSLB-808-020-H **Wavespectrum Laser Group** **www.wavespectrum-laser.com**

PARAMETER	SYMBOL	VALUE	UNIT
Reverse Voltage	V_r	2.0	V
Operating Temperature	T_{op}	+10 ~ +30	°C
Storage Temperature	T_{stg}	-20 ~ +80	°C
Lead soldering temperature (10 sec.)	T_{is}	260	°C

Features:

- 808nm
- CW mode
- Aiming Beam Optional
- Stainless Steel Armor Optional



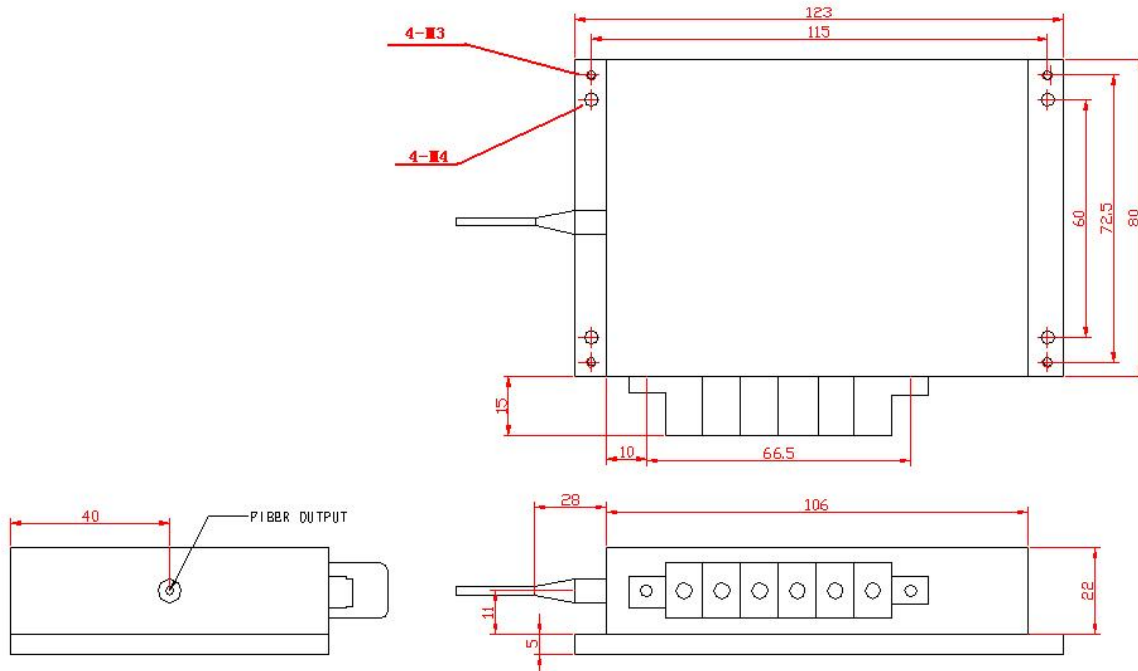
Applications:

- Medical laser treatment
- Pumping
- Others

Specifications	WSLB-808-020-H		
	Min.	Type	Max.
Center Wavelength@25°C	±3nm	808nm	±10nm
Spectral Width (FWHM)	----	5nm	----
Output Power	----	20W	----
Temperature Coefficient of Wavelength	----	0.3nm / °C	----
Threshold Current (Typ.)	----	1.0A	----
Operating Current (Typ.)	----	9.0A	----
Operating Voltage		5.7V	
Fiber Core Diameter	<300um		
Fiber Numerical Aperture	0.22		
Fiber Length	100cm		
Connector Type	FC (SMA905 Optional)		
Package	P2 Package		
Aiming Beam	Optional		



Package View



Wavespectrum offer **Customized** 808nm Fiber Coupled LD.

Please let me know your special request:

- Customized Output Power
- Customized Fiber
- Customized Fiber Connector

Contact us with info@wavespectrum-laser.com

Electrically shorten LD module and store in non-extreme conditions.

Suggest using the constant current power supply.



Wavespectrum Laser Group
www.wavespectrum-laser.com
sales@wavespectrum-laser.com

