

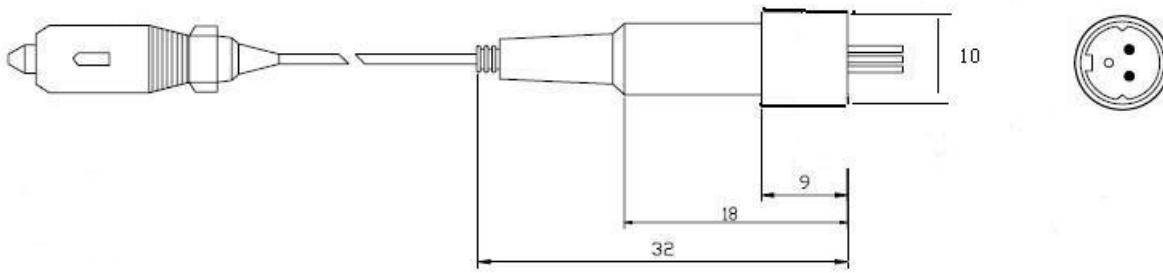
1064nm 50mW SM Coaxial Pigtailed Laser Diode with SMF
1060nm~1064nm SM Fiber Coupled LD with Single Mode Fiber (SM Fiber)
WSLP-1064-050m-4-PD
Wavespectrum laser Group
www.wavespectrum-laser.com

| 1064nm Pigtailed Diode Laser | | 50m W/SM Fiber | | Wavespectrum Laser, Inc | |
|--|-------------------|---|--------|-------------------------|--|
| PARAMETER | SYMBOL | VALUE | UNIT | | |
| Reverse Voltage | V_r | 2.0 | V | | |
| Operating Temperature | T_{op} | -20 ~ +50 | °C | | |
| Storage Temperature | T_{stg} | -40 ~ +80 | °C | | |
| Lead soldering temperature (10 sec.) | T_{is} | 250 | °C | | |
| Features: <ul style="list-style-type: none"> • 1064nm • Single Mode Fiber • Coaxial package • Built-in PD | |  | | | |
| Applications: <ul style="list-style-type: none"> • Medical laser treatment • Fiber Laser • Others | | | | | |
| Specifications | | WSLP-1064-050m-4-PD | | | |
| | Min | Type | Max | | |
| Center Wavelength@25°C | 1052nm | 1064nm | 1069nm | | |
| Recommend Operating Temperature | 25°C | | | | |
| Output Power | ---- | 50mw | ---- | | |
| Fiber Type | Single Mode Fiber | | | | |
| Fiber Core | 6um | | | | |
| Monitor Current | ---- | 0.5mA | ---- | | |
| PD Reverse Voltage | ---- | 30V | ---- | | |
| Fiber Connector | FC | | | | |
| Fiber Length | ---- | 80cm | 100cm | | |
| Threshold Current (Typ.) | ---- | 35mA | 75mA | | |
| Operating Current (Typ.) | ---- | 170mA | 200mA | | |
| Operating Voltage | ---- | 1.5V | 2.2V | | |
| Package Style | Coaxial | | | | |
| Photodiodes | Built-in | | | | |

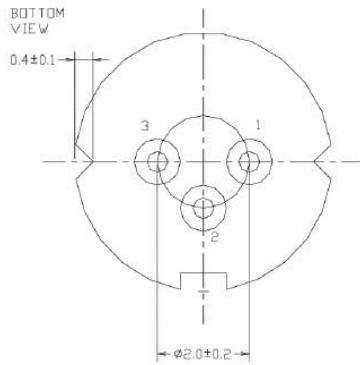


Coaxial Package View

Unit: mm



PIN Bottom View:



| | |
|----------|------------------------|
| 1 | LD(+) |
| 2 | LD(-)&PD(+) |
| 3 | PD(-) |

Electrically shorten LD module and store in non-extreme conditions.
 Suggest using the constant current power supply.

