

**940nm 30mw SM Coaxial Pigtailed Laser Diode with SMF**

**940nm SM Fiber Coupled LD with Single Mode Fiber (SM Fiber)**

**WSLP-940-030m-4-PD**

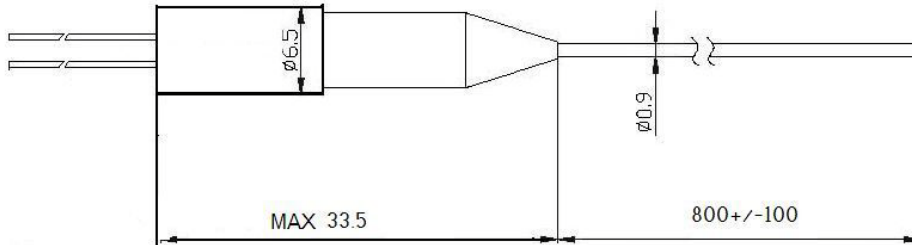
**Wavespectrum Laser Group**

[www.wavespectrum-laser.com](http://www.wavespectrum-laser.com)

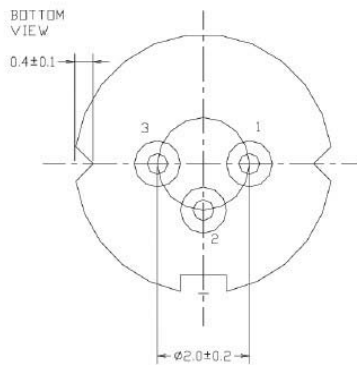
940nm Pigtailed Diode Laser		30mW/SM Fiber		Wavespectrum Laser, Inc	
PARAMETER	SYMBOL	VALUE		UNIT	
Reverse Voltage	$V_r$	2.0		V	
Operating Temperature	$T_{op}$	-20 ~ +50		°C	
Storage Temperature	$T_{stg}$	-40 ~ +85		°C	
Lead soldering temperature (5 sec.)	$T_{is}$	250		°C	
<b>Features:</b> <ul style="list-style-type: none"> <li>• 940nm</li> <li>• SM Fiber</li> <li>• Coaxial package</li> <li>• Built-in PD</li> </ul>					
<b>Applications:</b> <ul style="list-style-type: none"> <li>• Medical laser treatment</li> <li>• Sensor</li> <li>• Others</li> </ul>					
<b>Specifications</b>	<b>WSLP-940-030m-4-PD</b>				
	Min	Type	Max		
Center Wavelength@25°C	930nm	940nm	950nm		
Recommend Operating Temperature	25°C				
Output Power	----	30mw	----		
Fiber Type	Single Mode Fiber				
Fiber Core	5um				
Monitor Current	----	0.2mA	0.6mA		
PD Reverse Voltage	----	30V	----		
Fiber Connector	FC				
Fiber Length	----	80cm	100cm		
Threshold Current (Typ.)	----	20mA	40mA		
Operating Current (Typ.)	----	150mA	180mA		
Operating Voltage	----	1.9V	2.3V		
Package Style	Coaxial				
Photodiodes	Built-in				



### Coaxial Package View



### PIN Bottom View:



<b>1</b>	<b>LD(-)</b>
<b>2</b>	<b>LD(+)&amp;PD(-)</b>
<b>3</b>	<b>PD(+)</b>

Electrically shorten LD module and store in non-extreme conditions.  
Suggest using the constant current power supply.

