
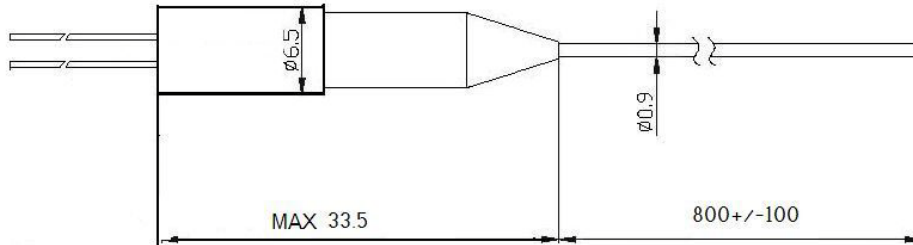


**808nm 50mw SM Pigtailed Laser Diode with PMF**
**808nm~810nm SM Fiber Coupled LD with Polarization Maintaining Fiber (PM Fiber)**
**WSLP-808-050m-PM-PD**
**Wavespectrum Laser Group**
**www.wavespectrum-laser.com**

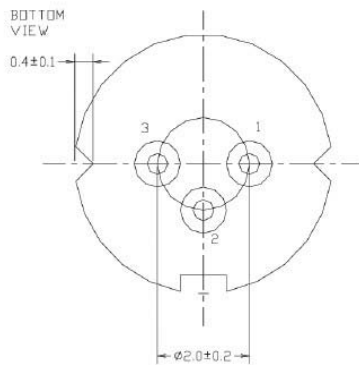
808nm Pigtailed Diode Laser		50mW/PM Fiber		Wavespectrum Laser, Inc	
PARAMETER	SYMBOL	VALUE	UNIT		
Reverse Voltage	$V_r$	2.0	V		
Operating Temperature	$T_{op}$	-10~+60	°C		
Storage Temperature	$T_{stg}$	-40 ~ +80	°C		
Lead soldering temperature (10 sec.)	$T_{is}$	260	°C		
<b>Features:</b> <ul style="list-style-type: none"> <li>• 808nm</li> <li>• PM Fiber</li> <li>• Coaxial package</li> <li>• Built-in PD</li> </ul>					
<b>Applications:</b> <ul style="list-style-type: none"> <li>• Medical laser treatment</li> <li>• Sensor</li> <li>• Others</li> </ul>					
<b>Specifications</b>		<b>WSLP-808-050m-PM-PD</b>			
	Min	Type	Max		
Center Wavelength@25°C	+/-3nm	808nm	+/-10nm		
Recommend Operating Temperature	25°C				
Output Power	----	50mw	----		
Fiber Type	PMFiber				
Fiber Core	5um				
Monitor Current	----	0.2mA	0.5mA		
PD Reverse Voltage	----	30V	----		
Fiber Connector	FC				
Fiber Length	----	80cm	100cm		
Threshold Current (Typ.)	----	30mA	40mA		
Operating Current (Typ.)	----	150mA	180mA		
Operating Voltage	----	1.9V	2.3V		
Package Style	Coaxial				
Photodiode	Built-in				



## Coaxial Package View



## PIN Bottom View:



<b>1</b>	<b>LD(-)</b>
<b>2</b>	<b>LD(+)&amp;PD(-)</b>
<b>3</b>	<b>PD(+)</b>

Electrically shorten LD module and store in non-extreme conditions.  
Suggest using the constant current power supply.



Wavespectrum Laser, Inc.  
[www.wavespectrum-laser.com](http://www.wavespectrum-laser.com)  
[wavespectrumlaser@gmail.com](mailto:wavespectrumlaser@gmail.com)

