

**685nm~690nm 10mW SM Coaxial Pigtailed Laser Diode with SMF**

**685nm Fiber Coupled LD with Single Mode Fiber (SM Fiber)**

WSLP-685-010m-4-PD

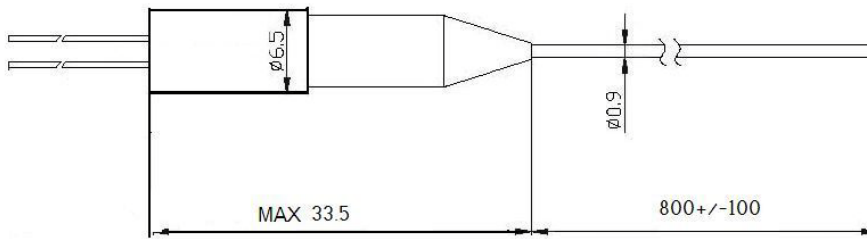
Wavespectrum Laser Group

www.wavespectrum-laser.com

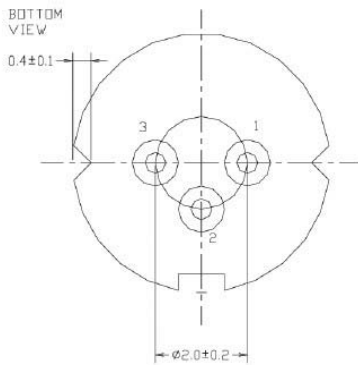
685nm Pigtailed Diode Laser		10mW/SM Fiber		Wavespectrum Laser, Inc	
PARAMETER	SYMBOL	VALUE	UNIT		
Reverse Voltage	$V_r$	2.0	V		
Operating Temperature	$T_{op}$	-10~+60	°C		
Storage Temperature	$T_{stg}$	-40 ~ +85	°C		
Lead soldering temperature (10 sec.)	$T_{is}$	260	°C		
<b>Features:</b> <ul style="list-style-type: none"> <li>• 685nm</li> <li>• SM Fiber</li> <li>• Coaxial package</li> <li>• Built-in PD</li> </ul>					
<b>Applications:</b> <ul style="list-style-type: none"> <li>• Medical laser treatment</li> <li>• Others</li> </ul>					
<b>Specifications</b>	<b>WSLP-685-010m-4-PD</b>				
	Min	Type	Max		
Center Wavelength@25°C	670nm	685nm	700nm		
Recommend Operating Temperature	25°C				
Output Power	----	10mW	----		
Fiber Type	Single Mode Fiber				
Fiber Core	4um				
Monitor Current	----	0.15mA	----		
PD Reverse Voltage	----	30V	----		
Fiber Connector	FC				
Fiber Length	----	80cm	100cm		
Threshold Current (Typ.)	----	30mA	60mA		
Operating Current (Typ.)	----	120mA	140mA		
Operating Voltage	----	2.4V	3.0V		
Package Style	Coaxial				
Photodiodes	Built-in				



**Coaxial Package View**



**PIN Bottom View:**



<b>1</b>	<b>LD(-)</b>
<b>2</b>	<b>LD(+)&amp;PD(-)</b>
<b>3</b>	<b>PD(+)</b>

Electrically shorten LD module and store in non-extreme conditions.  
Suggest using the constant current power supply.

