


635nm 1mw~2mw SM Fiber Coupled LD with SMF

635nm Coaxial Pigtail Laser Diode with Single Mode Fiber (SM Fiber)

WSLP-635-002m-4-PD

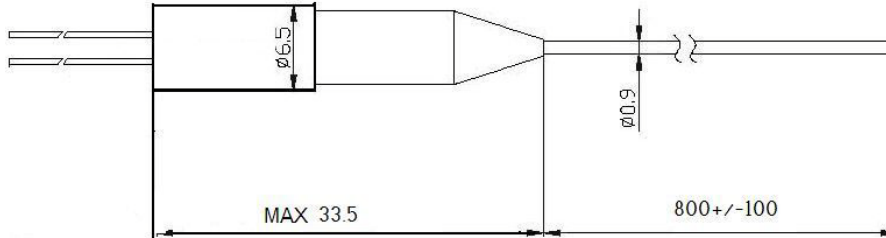
Wavespectrum Laser Group

www.wavespectrum-laser.com

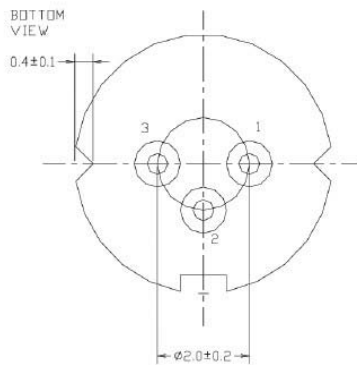
635nm Pigtailed Diode Laser		2mW/SM Fiber		Wavespectrum Laser Group	
PARAMETER	SYMBOL	VALUE		UNIT	
Reverse Voltage	V_r	2.0		V	
Operating Temperature	T_{op}	-10 ~ +50		°C	
Storage Temperature	T_{stg}	-40 ~ +85		°C	
Lead soldering temperature (10 sec.)	T_{is}	260		°C	
Features: <ul style="list-style-type: none"> 635nm SM Fiber Coaxial package Built-in PD 					
Applications: <ul style="list-style-type: none"> Medical laser treatment Aiming beam Others 					
Specifications	WSLP-635-002m-4-PD				
	Min	Type	Max		
Center Wavelength@25°C	630nm	635nm	640nm		
Recommended work Temperature	25°C				
Output Power	1mW	2mw	----		
Fiber Type	Single Mode				
Fiber Core	4um				
Monitor Current	----	0.15mA	0.4mA		
PD Reverse Voltage	----	30V	----		
Fiber Connector	FC				
Fiber Length	----	80cm	100cm		
Threshold Current (Typ.)	----	30mA	40mA		
Operating Current (Typ.)	----	70mA	80mA		
Operating Voltage	----	2.2V	2.5V		
Package Style	Coaxial				
PD	Built-in				



Coaxial Package View



PIN Bottom View:



1	LD(-)
2	LD(+)&PD(-)
3	PD(+)

Electrically shorten LD module and store in non-extreme conditions.
Suggest using the constant current power supply.



Wavespectrum Laser, Inc.
www.wavespectrum-laser.com
wavespectrumlaser@gmail.com

