




**405nm 100mW SM Pigtailed Laser Diode Module with SMF**

**405nm Single Mode Fiber Coupled LD**

WSLP-405-100m-4

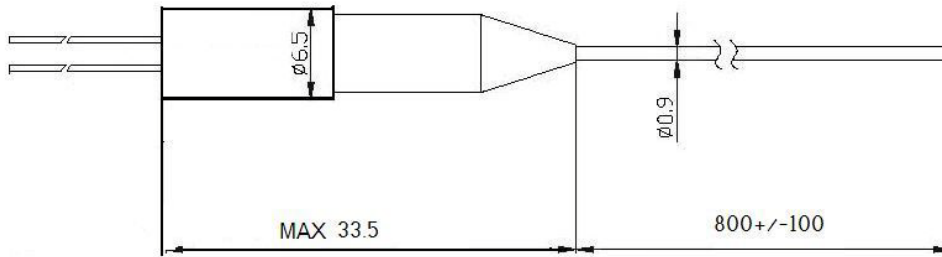
Wavespectrum Laser Group

www.wavespectrum-laser.com

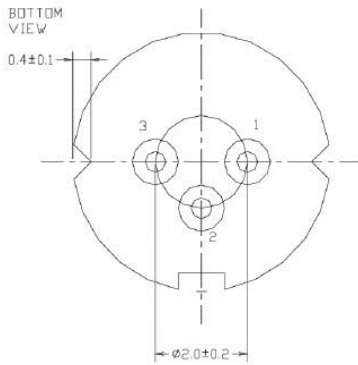
PARAMETER	SYMBOL	VALUE	UNIT
Reverse Voltage	$V_r$	5.0	V
Operating Temperature	$T_{op}$	0 ~ +70	°C
Storage Temperature	$T_{stg}$	-35 ~ +85	°C
Lead soldering temperature (10 sec.)	$T_{is}$	260	°C
<b>Features:</b> <ul style="list-style-type: none"> <li>• 405nm</li> <li>• 3um SM UV Fiber</li> <li>• Coaxial package</li> <li>• PD Optional</li> </ul>			
<b>Applications:</b> <ul style="list-style-type: none"> <li>• Medical laser treatment</li> <li>• Printing</li> <li>• Others</li> </ul>			
<b>Specifications</b>	<b>WSLP-405-100m-4</b>		
	Min	Type	Max
Center Wavelength@25°C	400nm	405nm	410nm
Spectral Width (FWHM)	----	2.0nm	----
Output Power	80mw	90mw	100mw
Fiber Type	UV Single Mode Fiber		
Fiber Core	3um		
Recommend Operating Temperature	25°C		
Fiber Connector	FC		
Fiber Length	----	80cm	100cm
Threshold Current (Typ.)	----	35mA	50mA
Operating Current (Typ.)	----	180mA	200mA
Operating Voltage	----	4.6V	5.5V
Package Style	Coaxial		
Photodiodes	Optional		



### Coaxial Package View



### PIN Bottom View:



<b>1</b>	<b>LD(+)</b>
<b>2</b>	<b>GND</b>
<b>3</b>	<b>LD(-)</b>

Electrically shorten LD module and store in non-extreme conditions.  
Suggest using the constant current power supply.



Wavespectrum Laser, Inc.  
[www.wavespectrum-laser.com](http://www.wavespectrum-laser.com)  
[wavespectrumlaser@gmail.com](mailto:wavespectrumlaser@gmail.com)

