


## 980nm 30mW Coaxial Fiber coupled Laser Diode

976nm~980nm Pigtailed LD with MM Fiber| Built-in PD|50um 62.5um 105um MMF

WSLP-980-030m-M-PD

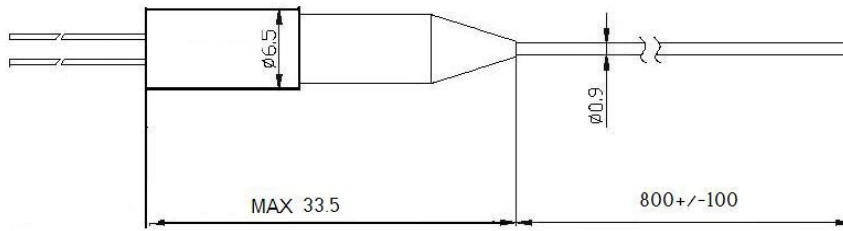
Wavespectrum Laser Group

www.wavespectrum-laser.com

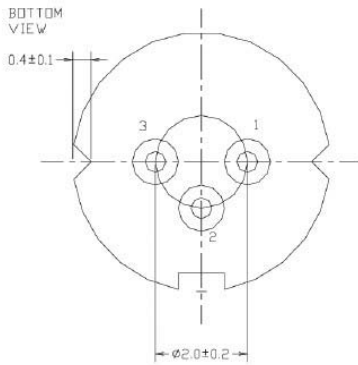
| 980nm Pigtailed Diode Laser  |  | 30mW/MM Fiber |       | Wavespectrum Laser, Inc |  |
|--|--|---------------|-------|-------------------------|--|
| PARAMETER  | SYMBOL   | VALUE         | UNIT  |                         |  |
| Reverse Voltage  | $V_r$  | 2.0           | V     |                         |  |
| Operating Temperature  | $T_{op}$   | -10 ~ +40     | °C    |                         |  |
| Storage Temperature  | $T_{stg}$  | -40 ~ +85     | °C    |                         |  |
| Lead soldering temperature (10 sec.)   | $T_{is}$   | 260           | °C    |                         |  |
| <b>Features:</b> <ul style="list-style-type: none"> <li>980nm</li> <li>MM Fiber</li> <li>Coaxial package</li> <li>Built-in PD</li> </ul> |  |               |       |                         |  |
| <b>Applications:</b> <ul style="list-style-type: none"> <li>Medical laser treatment</li> <li>Printing</li> </ul>                         |  |               |       |                         |  |
| <b>Specifications</b>  | <b>WSLP-980-030m-M-PD</b>  |               |       |                         |  |
|  | Min  | Type          | Max   |                         |  |
| Center Wavelength@25°C   | 970nm  | 980nm         | 990nm |                         |  |
| Spectral Width (FWHM)  | ----   | 2.0nm         | 3.0nm |                         |  |
| Output Power   | ----   | 30mW          | ----  |                         |  |
| Fiber Core   | 62.5um (50um 105um Optional)   |               |       |                         |  |
| Recommend Operating Temperature  | 25°C   |               |       |                         |  |
| Monitor Current  | ----   | 450uA         | ----  |                         |  |
| PD Reverse Voltage   | ----   | 30V           | ----  |                         |  |
| Fiber Connector  | FC (SMA905 Optional)   |               |       |                         |  |
| Fiber Length   | ----   | 80cm          | 100cm |                         |  |
| Threshold Current (Typ.)   | ----   | 55mA          | ----  |                         |  |
| Operating Current (Typ.)   | ----   | 130mA         | ----  |                         |  |
| Operating Voltage  | ----   | 1.9V          | 2.2V  |                         |  |
| Package Style  | Coaxial  |               |       |                         |  |



**Coaxial Package View**



**PIN Bottom View:**



|          |                        |
|----------|------------------------|
| <b>1</b> | <b>LD(-)</b>           |
| <b>2</b> | <b>LD(+)&amp;PD(-)</b> |
| <b>3</b> | <b>PD(+)</b>           |

Electrically shorten LD module and store in non-extreme conditions.  
Suggest using the constant current power supply.

