


**808nm 100mw SM Fiber Coupled LD with Polarization Maintaining Fiber**

**808nm~810nm | 80mw~100mw Output Power| PM Fiber Pigtailed Laser Diode |PMF | Built-in PD**

**WSLP-808-100m-PM-PD**

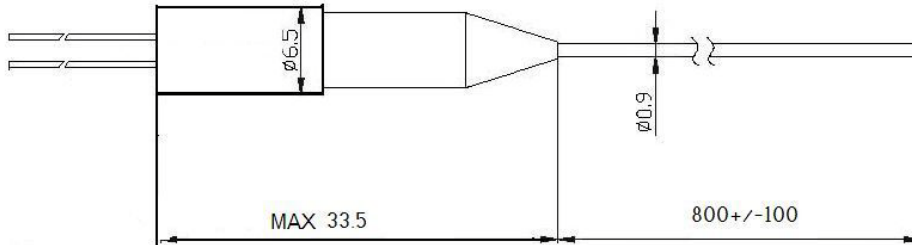
**Wavespectrum Laser Group**

**www.wavespectrum-laser.com**

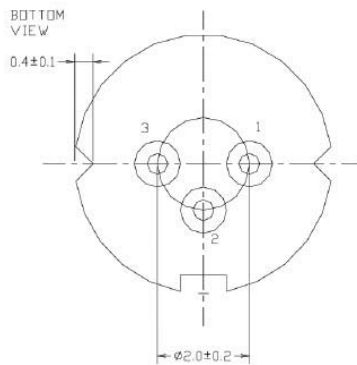
808nm Pigtailed Diode Laser		100m W/PM Fiber		Wavespectrum Laser Group	
PARAMETER	SYMBOL	VALUE	UNIT		
Reverse Voltage	$V_r$	2.0	V		
Operating Temperature	$T_{op}$	-20 ~ +50	°C		
Storage Temperature	$T_{stg}$	-40 ~ +80	°C		
Lead soldering temperature (10 sec.)	$T_{is}$	260	°C		
<b>Features:</b> <ul style="list-style-type: none"> <li>● 808nm</li> <li>● PM Fiber</li> <li>● Coaxial Package</li> <li>● Built-in PD</li> </ul>					
<b>Applications:</b> <ul style="list-style-type: none"> <li>● Medical laser treatment</li> <li>● Others</li> </ul>					
<b>Specifications</b>	<b>WSLP-808-100m-PM-PD</b>				
	Min	Type	Max		
Center Wavelength@25°C	800nm	808nm	815nm		
Recommend Operating Temperature	25°C				
Output Power	----	80mw	100mw		
Fiber Type	Polarization Maintaining Fiber				
Fiber Core	5um				
Monitor Current	----	0.5mA	0.8mA		
PD Reverse Voltage	----	30V	----		
Fiber Connector	FC				
Fiber Length	----	80cm	100cm		
Threshold Current (Typ.)	----	20mA	40mA		
Operating Current (Typ.)	----	190mA	220mA		
Operating Voltage	----	1.9V	2.2V		
Package Style	Coaxial				
PD	Built-in				



### Coaxial Package View



### PIN Bottom View:



<b>1</b>	<b>LD(-)</b>
<b>2</b>	<b>LD(+)&amp;PD(-)</b>
<b>3</b>	<b>PD(+)</b>

**OR**

<b>1</b>	<b>LD(+)</b>
<b>2</b>	<b>LD(-)&amp;PD(+)</b>
<b>3</b>	<b>PD(-)</b>

Electrically shorten LD module and store in non-extreme conditions.  
Suggest using the constant current power supply.

