

660nm Collimated Laser Diode Module | Single Mode LD| 100mw Output Power| Collimation Beam

650nm~660nm LD| Small Compact Package| Built-in TEC Cooling Optional

WSLM-660-100m-K

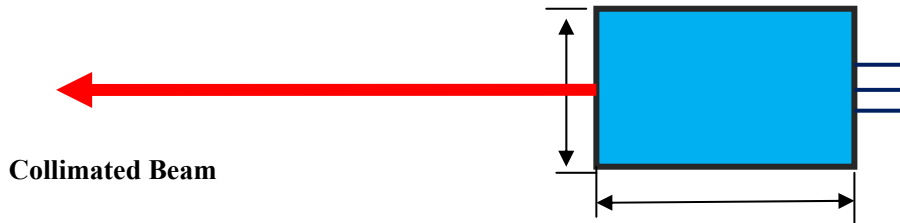
Wavespectrum Laser, Inc.

www.wavespectrum-laser.com

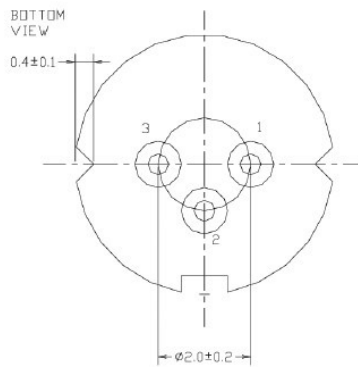
660nm Collimated Laser Diode		100mw		Wavespectrum Laser, Inc			
PARAMETER		SYMBOL		VALUE		UNIT	
Reverse Voltage		V_r		2.0		V	
Operating Temperature		T_{op}		-10 ~ +75		°C	
Storage Temperature		T_{stg}		-40 ~ +100		°C	
Lead soldering temperature (10 sec.)		T_{is}		260		°C	
Features: <ul style="list-style-type: none"> • 660nm • CW/ Pulsed Mode • Collimated Laser Beam • Small Compact Package • Excellent Beam Quality • Built-in TEC Cooling Optional 							
Specifications				WSLM-660-100m-K			
		Min		Type		Max	
Center Wavelength@25°C		654nm		658nm		662nm	
Output Power	(CW Mode)	----		80mW		100mW	
	(Pulsed Mode)	----		----		200mW	
				Pulse Width: 30ns , Duty: 40%			
Spatial Mode		Single Mode					
Lens Type		Aspheric Lens (with AR Coating)					
Beam Shape		Elliptical					
Beam Diameter @ Aperture		----		3mm \perp x 1.5mm \parallel		----	
Beam Divergence (Full Angle)		----		----		1mrad	
Recommend Operating Temperature		25 °C					
Threshold Current (Typ.)		----		60mA		----	
Operating Current (Typ.)		----		150mA		----	
Operating Voltage		----		2.4V		3.0V	
Housing Material		Aluminum					
Housing Dimensions		Customized					



Drawing



PIN Bottom View:



1	LD(+)
2	LD(-)
3	NC

Electrically shorten LD module and store in non-extreme conditions.
 Suggest using the constant current power supply.

