


## 1550nm 1W LD| TO Can Laser Diode

### 1550nm 1w Laser Diodes| High power |TO3 Package

WSLD-1550-001-3

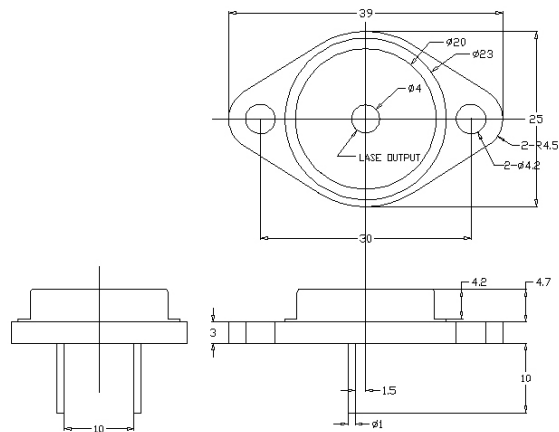
Wavespectrum laser inc.

[www.wavespectrum-laser.com](http://www.wavespectrum-laser.com)

1550nm Laser Diode 1W		Wavespectrum Laser, Inc	
Reverse Voltage	$V_r$	2.0	V
Operating Temperature	$T_{op}$	+15~+35	°C
Storage Temperature	$T_{stg}$	-40 ~ +60	°C
Lead soldering temperature (10 sec.)	$T_{is}$	260	°C
<b>Features:</b> <ul style="list-style-type: none"> <li>1550nm</li> <li>1W Power</li> <li>TO3 package</li> </ul>			
<b>Applications:</b> <ul style="list-style-type: none"> <li>Medical laser treatment</li> <li>Others</li> </ul>			
<b>Specifications</b>		<b>WSLD-1550-001-3</b>	
		<b>Min</b>	<b>Type</b>
Center Wavelength@25°C		+/-10nm	1550nm
Spectral Width (FWHM)		----	3.0nm
Output Power		----	1W
Emitter Area		----	100x1μm
Beam Divergence (FWHM)		----	70°± x 10°//
Temperature Coefficient of Wavelength		----	0.3nm / °C
Slope Efficiency		----	0.3mW/mA
Threshold Current (Typ.)		----	400mA
Operating Current (Typ.)		----	3A
Operating Voltage		----	1.2V
Package Style		TO3	



## T03 Package View



**Electrically shorten LD module and store in non-extreme conditions.  
Suggest using the constant current power supply.**

